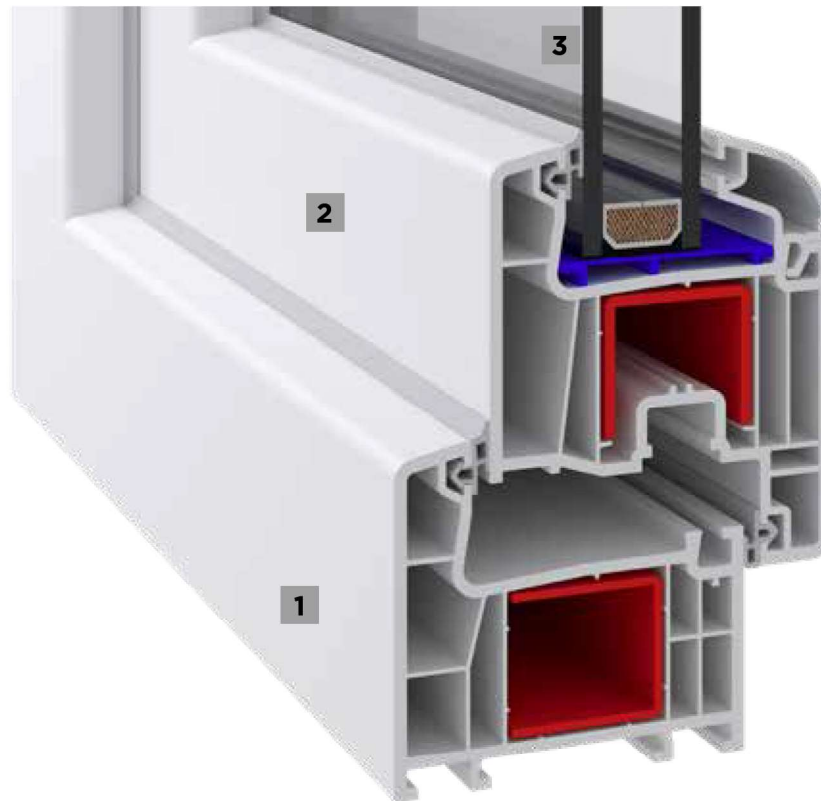


PLASPEN[®]

**P 750 SERIES
PVC PROFILE SYSTEMS**



TECHNIC

P 750 SERIES

Profile Width: 70 mm

Number of chambers: 5

Profile Class: W 752 A Class (TS EN 12608-1) / RAL 716-GZ
W 750 B Class (TS EN 12608-1)

Seal Type: External / Internal double seal system

Seal Type and Color: TPE - Grey /Black

Glass Thickness (mm): 4, 20, 24, 28, 32, 40, 42 mm

The thermal insulation Uf: 1,30 W/m²K

- 1** Frame 5 chambers system.
- 2** Offset and flat sash option
- 3** Double and triple glass option.

INSTRUCTION

- The main profiles have 70 mm width.
- Because of the elastic grey and black seal which does not leave any stain on profiles will be provided maximum air, water, dust and sound isolation.
- Due to the 5 chambers profiles, it has maximum performance for thermal, sound and water isolation.
- It is a series of profiles with very special design that provides maximum wind resistance on high rise buildings.
- Excluding normal sash profile, there is also chance to have a choice for offset type sash profile.
- In addition to white profile a different laminated color range is available.
- 4-5 mm single glazing application of 20, 24, 28, 32, 40, 42 mm glazing beads give us alternatives of using double, triple glazing and panels.
- It provides the visual integrity in the inner surface and the frame-wall connections due to integrated frame with sill profile.

LAMINATED COLORS



**GOLDEN OAK
ST 500**



**DARK OAK
ST 501**



**SWAMP OAK
ST 503**



**LIGHT OAK
ST 515**



**GREY SAND
AS 509**



**GREY
ST 507**



**ANT. GREY
ST 508**



**ANT. GREY
AS 508**

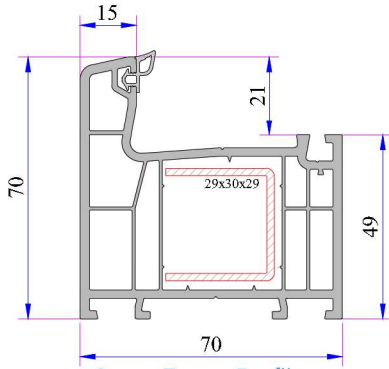


**MAHOGANY
ST 504**



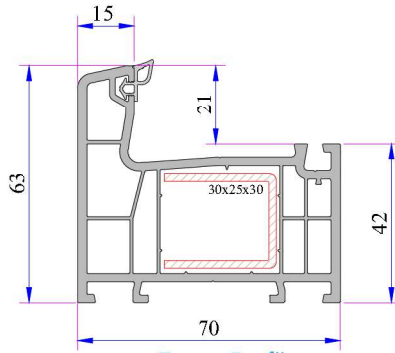
**CREAM
AS 057**

P 750 SERIES PVC PROFILE SYSTEM



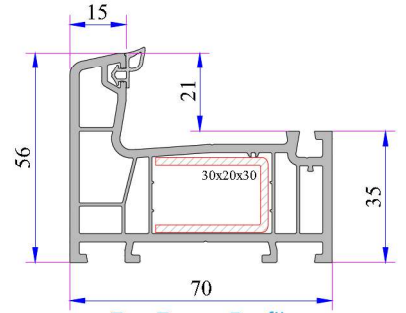
Super Frame Profile

Code: P.A.750.1001.600.0.BC.03



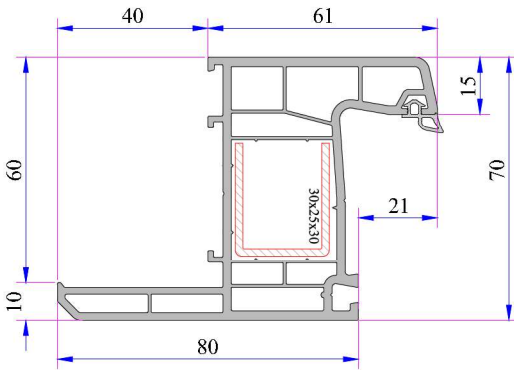
Frame Profile

Code: P.A.750.1000.600.0.BC.03



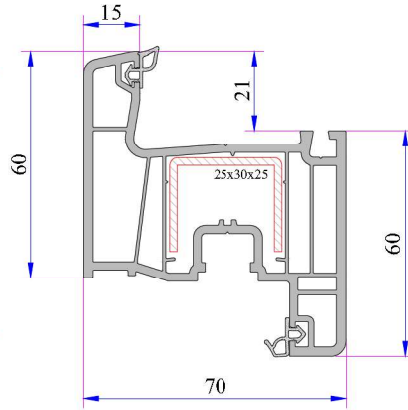
Eco Frame Profile

Code: P.A.750.1003.600.0.BC.03



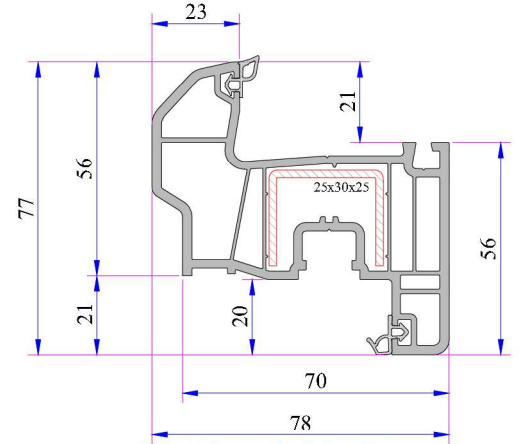
Frame Profile With Sill

Code: P.A.750.1200.600.0.BC.03



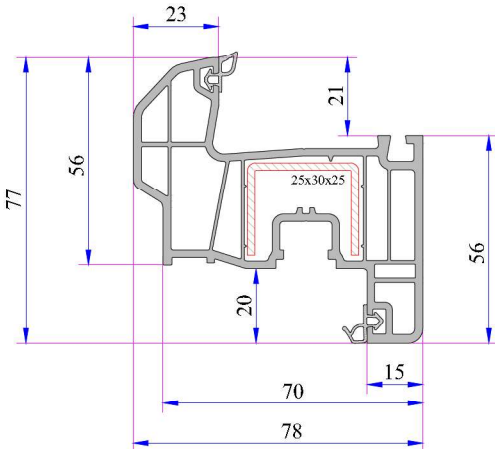
Sash Profile

Code: P.A.750.2000.600.0.BC.03



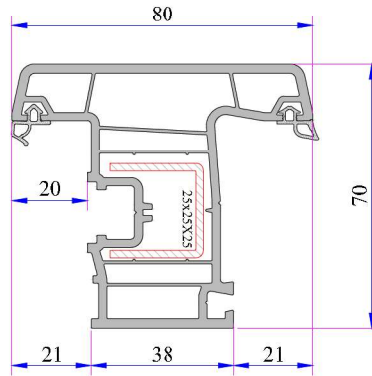
Offset Type Sash Profile

Code: P.A.750.2200.600.0.BC.03



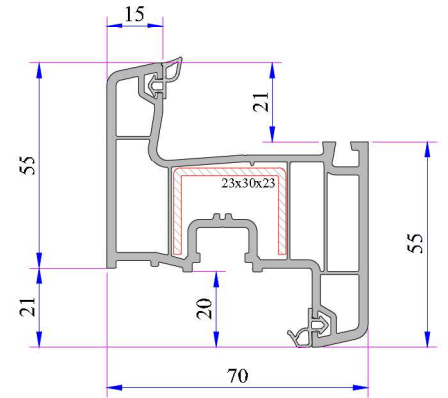
**Offset Type Sash Profile
(6 Chambers)**

Code: P.A.750.2205.600.0.BC.03



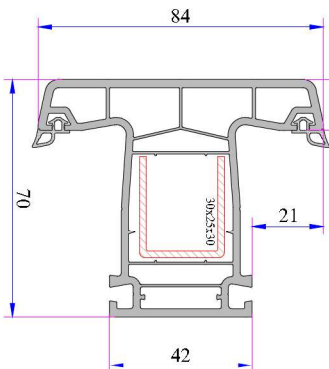
Outward Opening Sash Profile

Code: P.A.750.2001.600.0.BC.03



24 Axis Sash Profile

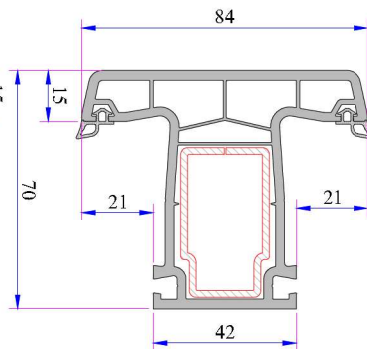
Code: P.A.750.2003.600.0.BC.03



Mullion Profile

Code:

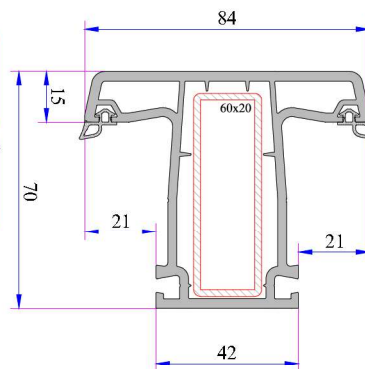
P.A.750.3000.600.0.BC



Static Mullion Profile

Code:

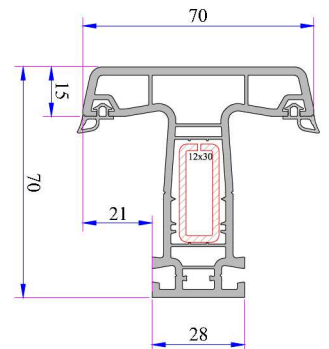
P.A.750.3007.600.0.BC.03



Super Static Mullion Profile

Code:

P.A.750.3009.600.0.BC.03

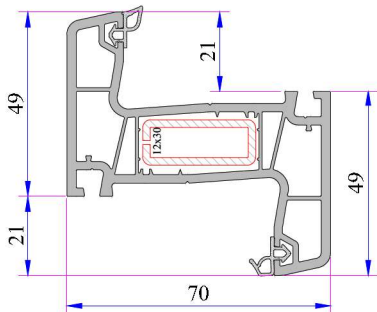


Eco Mullion Profile

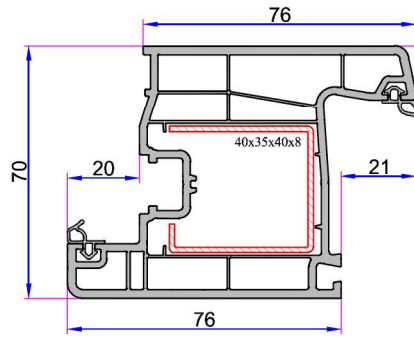
Code:

P.A.750.3006.600.0.BC.03

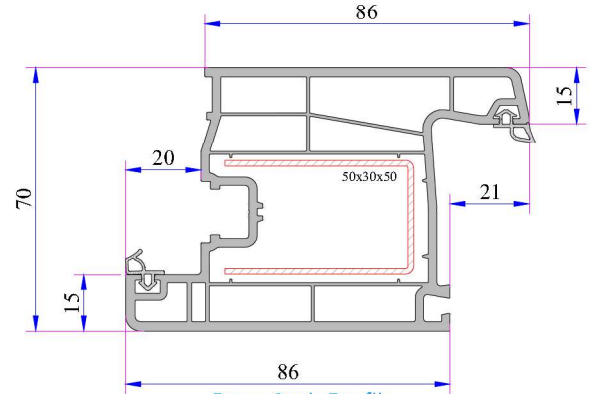
P 750 SERIES PVC PROFILE SYSTEM



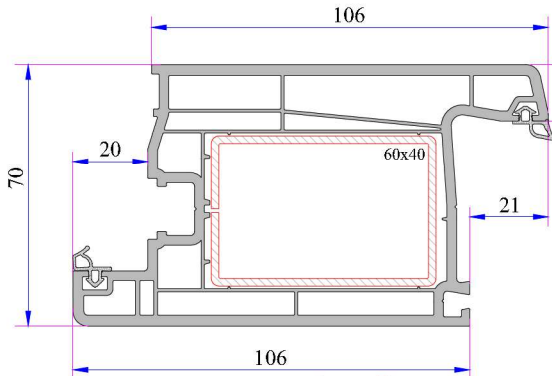
Outward Opening Mullion Profile
Code: P.A.750.3005.600.0.BC.03



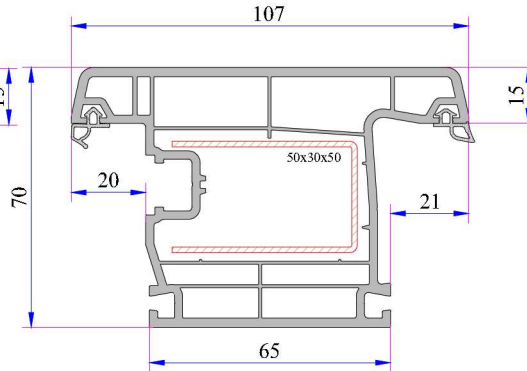
Door Sash Profile
Code: P.A.750.2111.600.0.BC.01



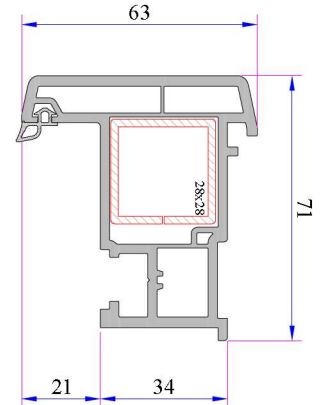
Door Sash Profile
Code: P.A.750.2100.600.0.BC.03



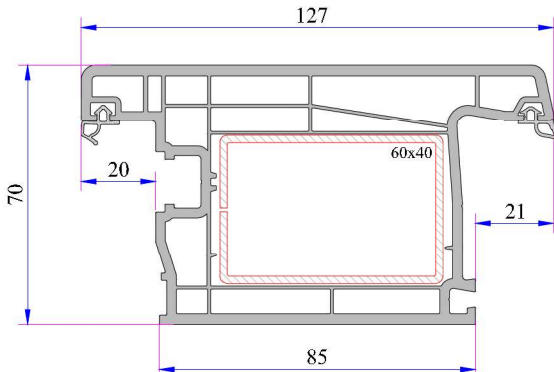
Super Door Sash Profile
Code: P.A.750.2103.600.0.BC.03



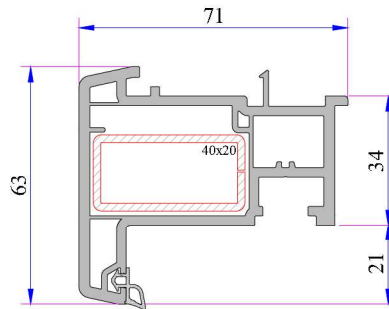
Outward Opening Door Sash Profile
Code: P.A.750.2101.600.0.BC.03



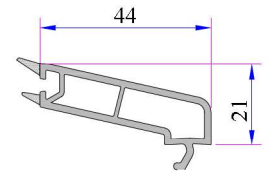
Lap Joint Profile
Code:
P.A.750.3100.600.0.BC.19



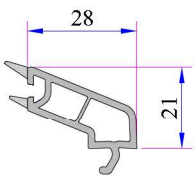
Outward Opening Super Door Sash Profile
Code: P.A.752.2104.600.0.BC.03



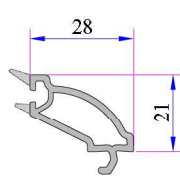
Static Lap Joint Profile (Spiked)
Code: P.A.750.3101.600.0.BC.19



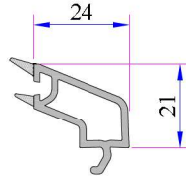
Single Glazing Bead 4-6 mm
Code:
P.A.750.4000.600.0.HC



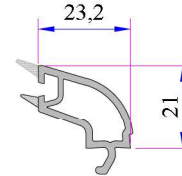
Double Glazing Bead 20 mm
Code:
P.A.750.4100.600.0.HC



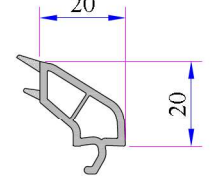
Decorative Double Glazing Bead 20 mm
Code:
P.A.750.4102.600.0.HC



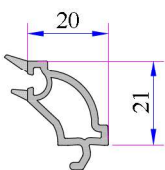
Double Glazing Bead 24 mm
Code:
P.A.750.4200.600.0.HC



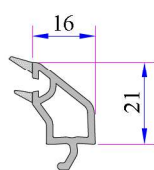
Decorative Double Glazing Bead 24 mm
Code:
P.A.750.4204.600.0.HC



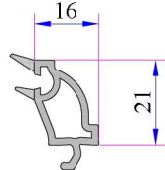
Double Glazing Bead 28 mm
Code:
P.A.101.4100.600.0.HC



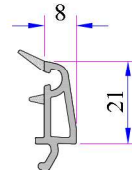
Decorative Double Glazing Bead 28 mm
Code:
P.A.101.4102.600.0.HC



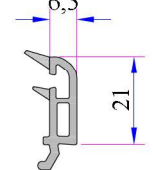
Triple Glazing Bead 32 mm
Code:
P.A.750.4500.600.0.HC



Decorative Triple Glazing Bead 32 mm
Code:
P.A.101.4202.600.0.HC

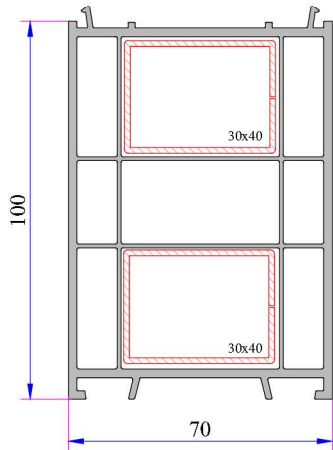


Triple Glazing Bead 40 mm
Code:
P.A.532.4400.600.0.HC

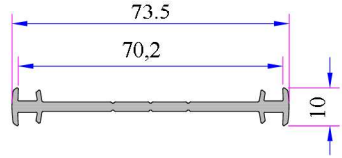


Triple Glazing Bead 42 mm
Code:
P.A.532.4500.600.0.HC

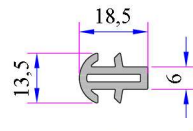
P 750 SERIES PVC PROFILE SYSTEM



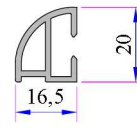
100mm Frame Lifting Profile
Code: P.A.070.5302.600.0.00.19



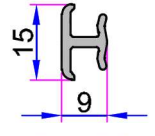
Narrow Coupling Profile
Code: P.A.070.5001.600



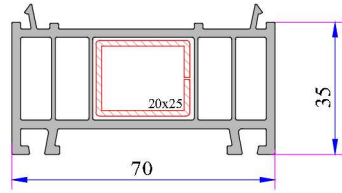
Short Coupling Profile
Code: P.A.099.5003.600



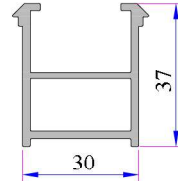
Offset Profile
Code: P.A.900.6307.600



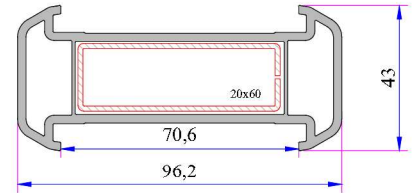
Universal Short Coupling Profile
Code: 099.5004



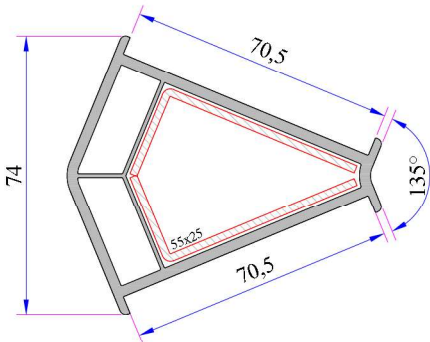
35mm Frame Lifting Profile
Code: P.A.070.5300.600.0.00.19



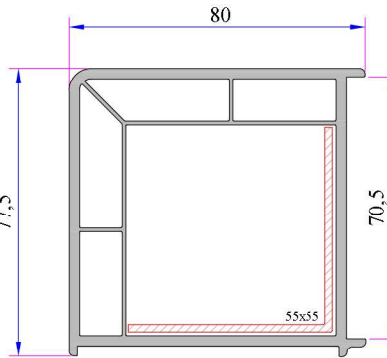
Frame Montage Profile
Code: P.A.070.5301.600.0.00.19



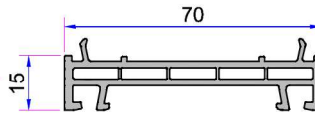
Large Coupling Profile
Code: P.A.070.5000.600.0.00.19



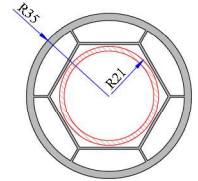
135° Corner Profile
Code: P.A.070.5102.600.0.00.19



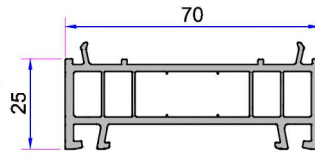
90° Corner Profile
Code: P.A.070.5100.600.0.00.19



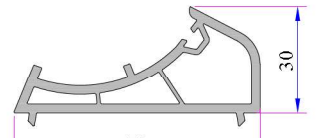
Frame Lifting Profile 15 mm
Code: 070.5304



Pipe Profile
Code: P.A.070.5106.600

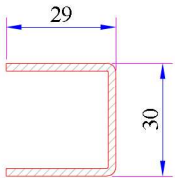


Frame Lifting Profile 25 mm
Code: 070.5306

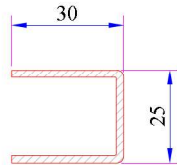


Corner Lag Profile
Code: P.A.070.5104.600.0.00.19

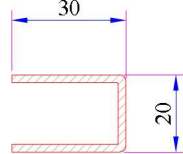
P 750 Re-Inforcement Profiles



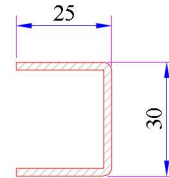
Super Frame Profile Reinforcement
Code: 34022-12002



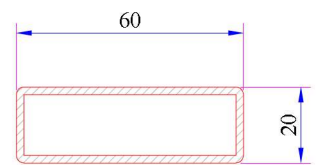
Frame - Frame with Sill - Mullion Profile Reinforcement
Code: 34022-12004



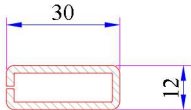
Eco Frame Profile Reinforcement
Code: 34022-12006



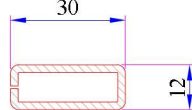
Sash - Offset Type Sash Profile Reinforcement
Code: 34022-12025



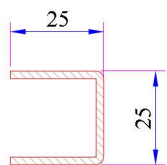
Static Mullion Profile Reinforcement
Code: 34022-12106



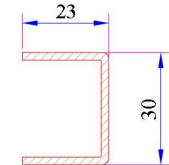
Eco Mullion Profile Reinforcement
Code: 34022-12115



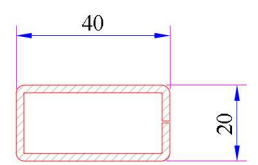
Outward Opening Mullion Profile Reinforcement
Code: 34022-12115



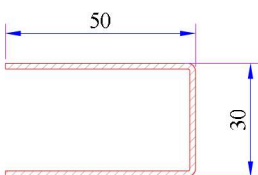
24 Axis. Sash Profile Reinforcement
Code: 34022-12003



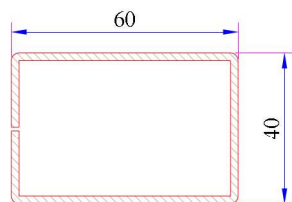
Outward Opening Sash Profile Reinforcement
Code: 34022-12030



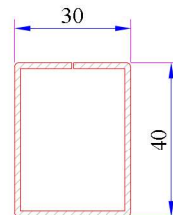
Static Lap Joint Profile Reinforcement
Code: 34022-12114



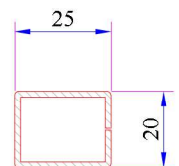
Door Sash - Outward Opening Door Sash Profile Reinforcement
Code: 34022-12013



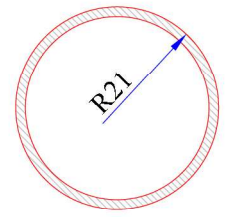
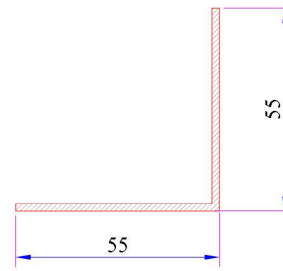
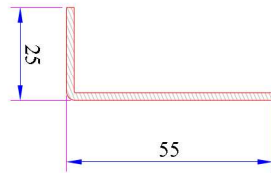
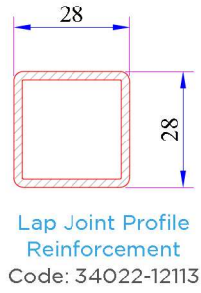
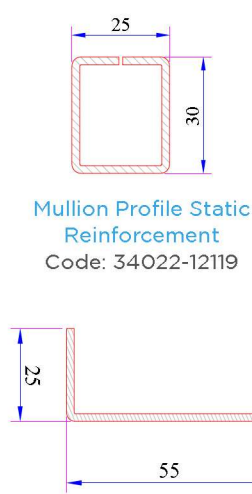
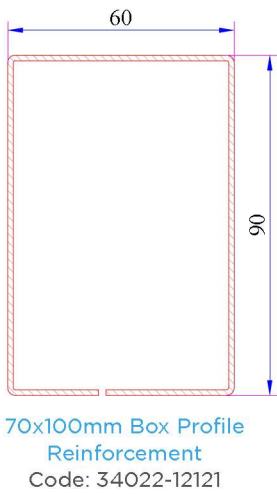
Super Door Sash - Outward Opening Super Door Sash Profile Reinforcement
Code: 34022-12110



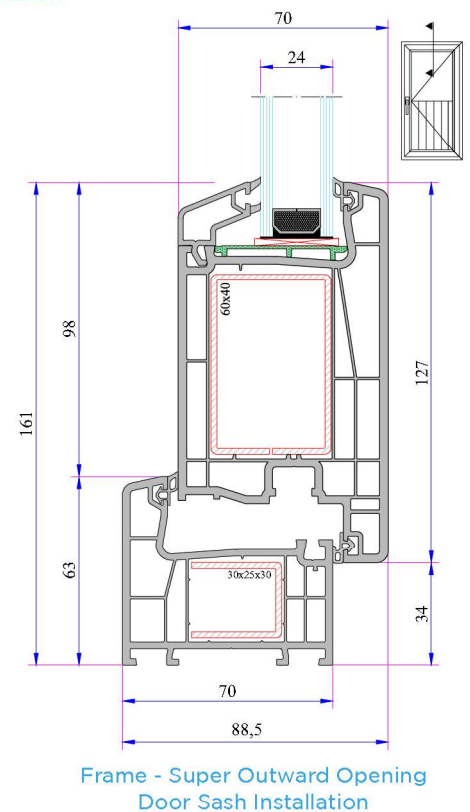
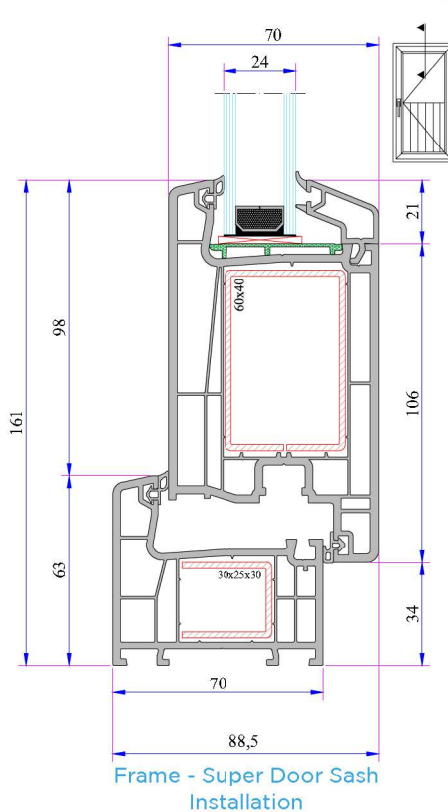
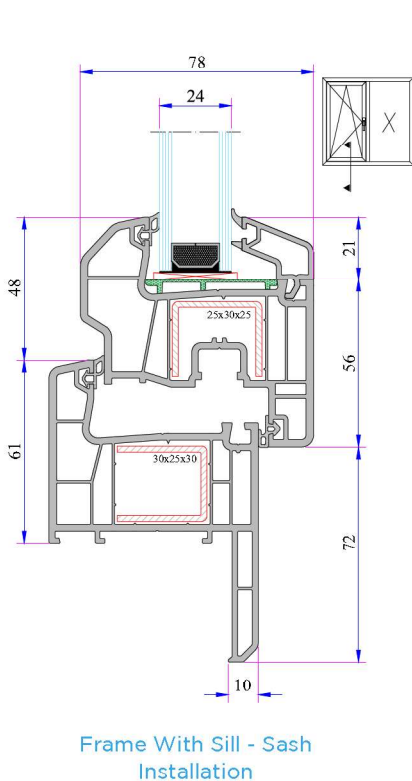
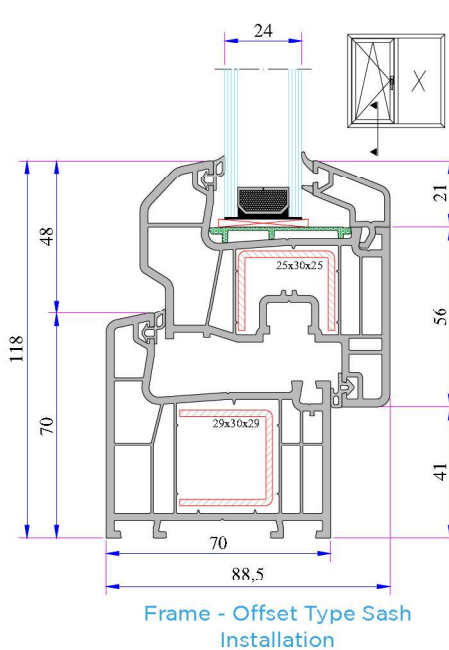
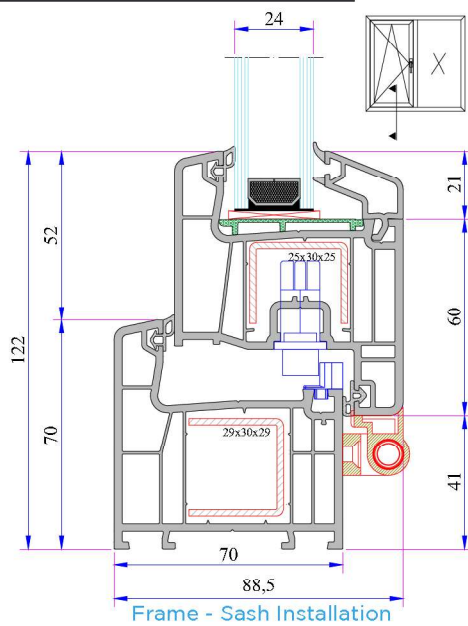
100mm Frame Lifting Profile Reinforcement
Code: 34022-12120



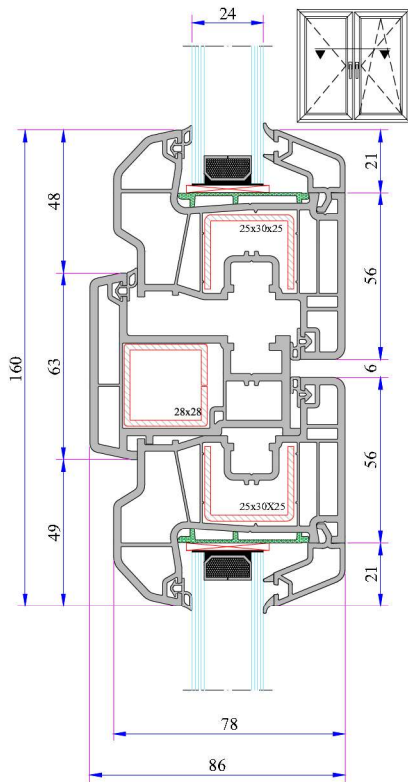
35mm Frame Lifting Profile Reinforcement
Code: 34022-12104



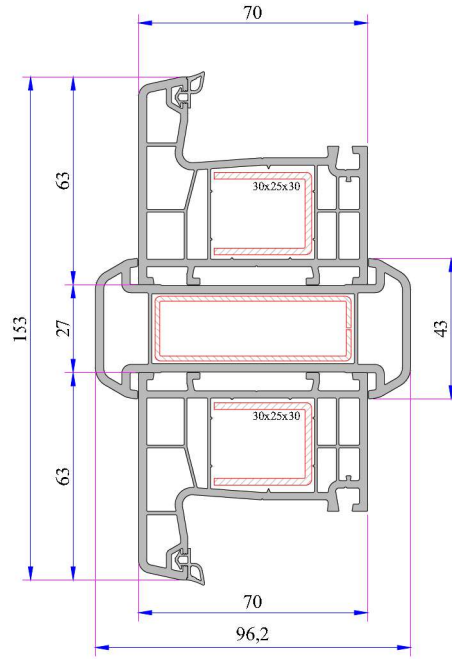
P 750 Installation



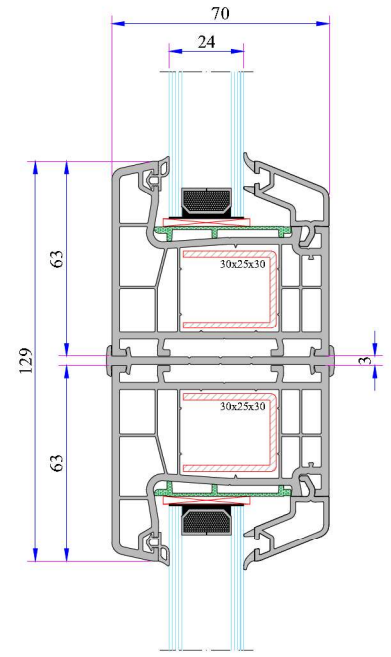
P 750 SERIES PVC PROFILE SYSTEM



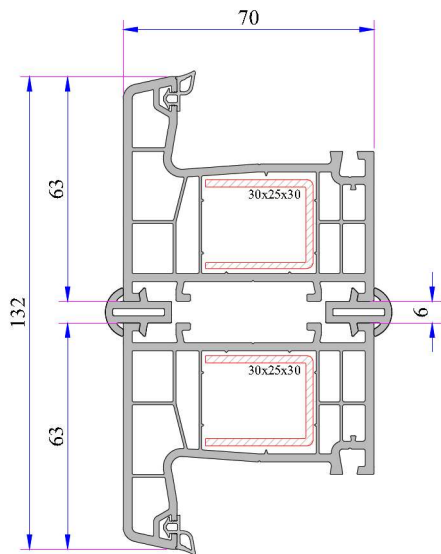
Sash - Lap Joint - Sash Profile Installation



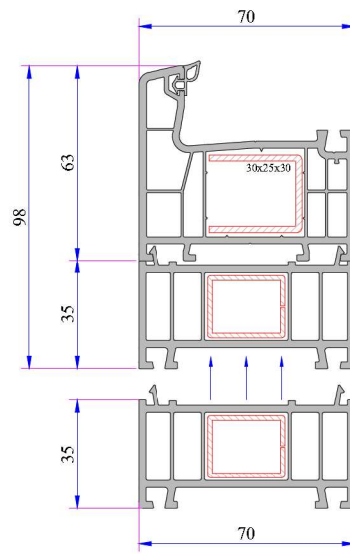
Large Coupling Profile Installation



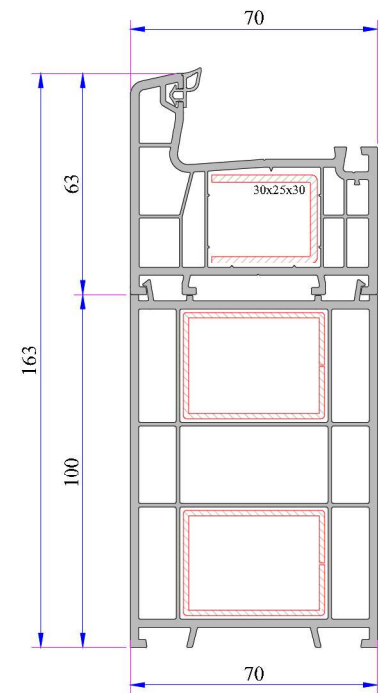
Narrow Coupling Profile Installation



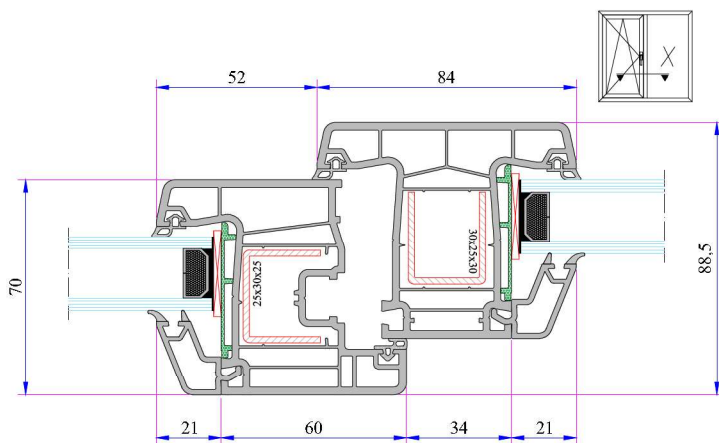
Short Coupling Profile Installation



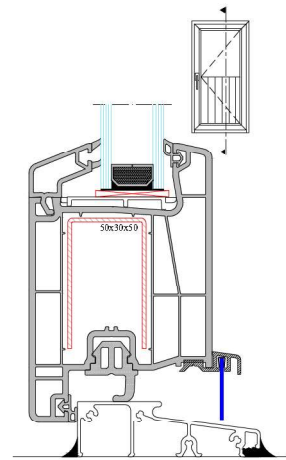
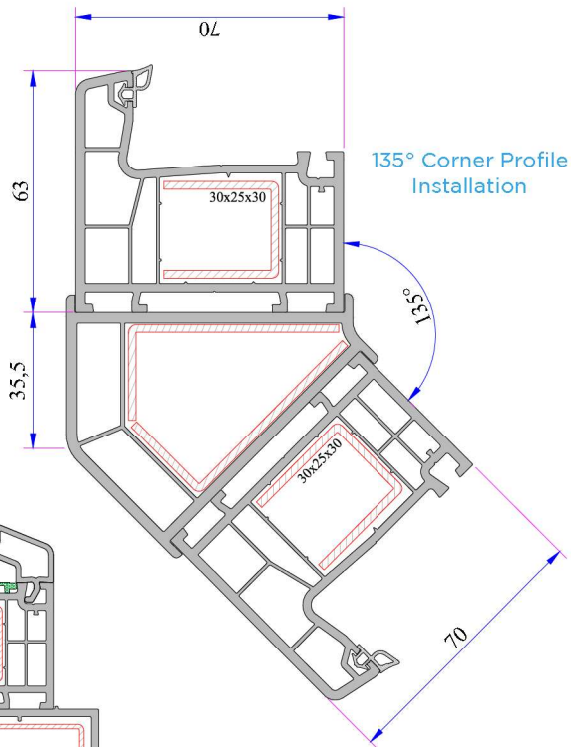
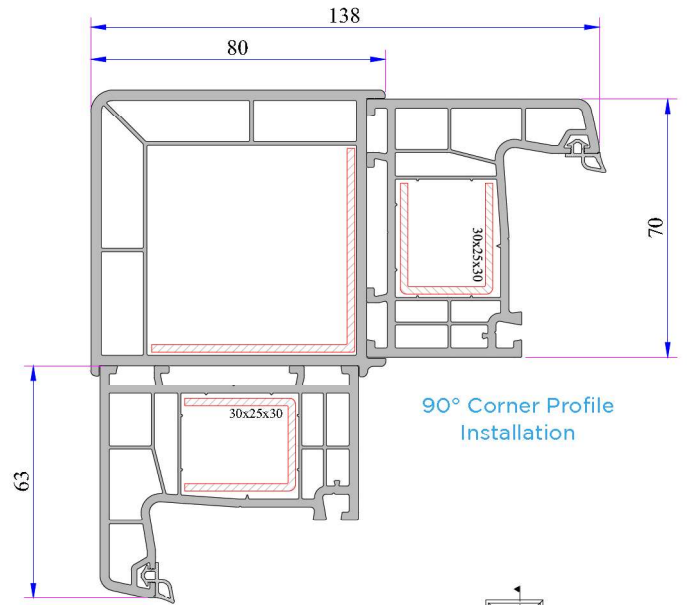
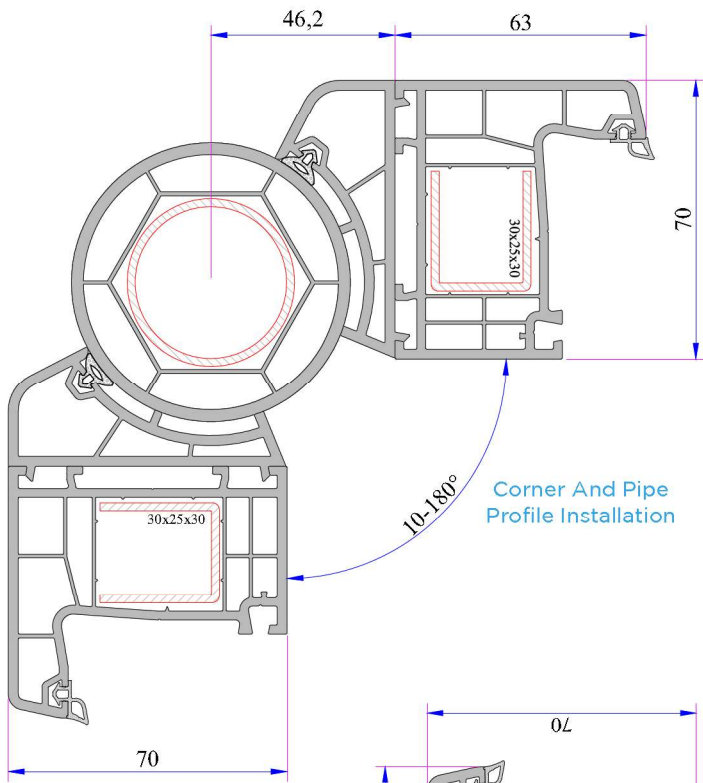
35mm Frame Lifting Profile Installation



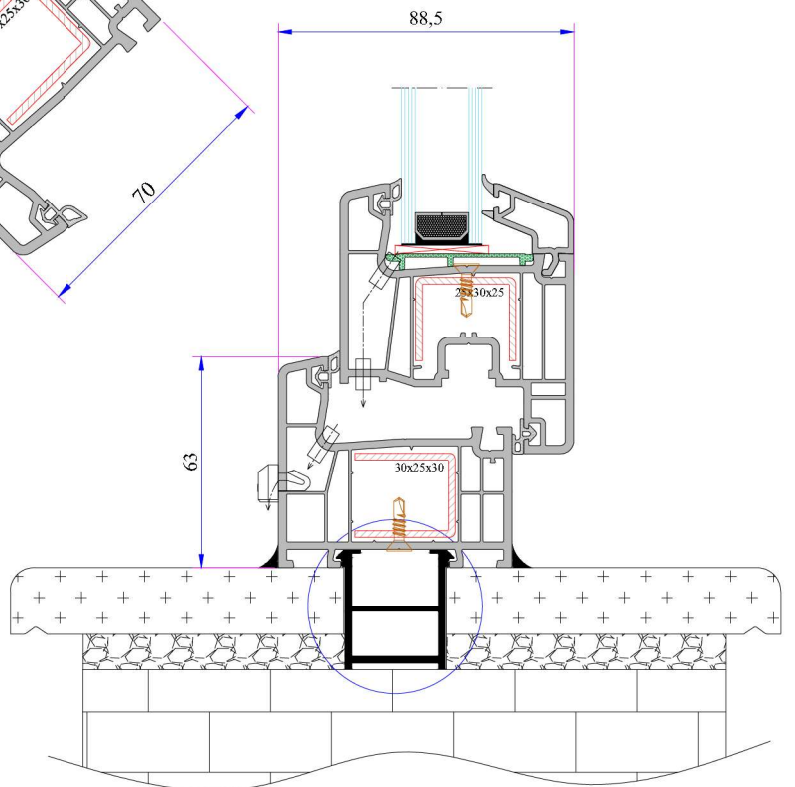
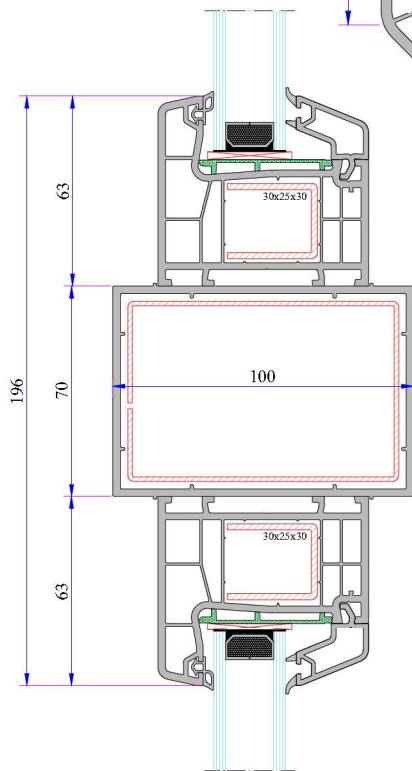
100mm Frame Lifting Profile Installation



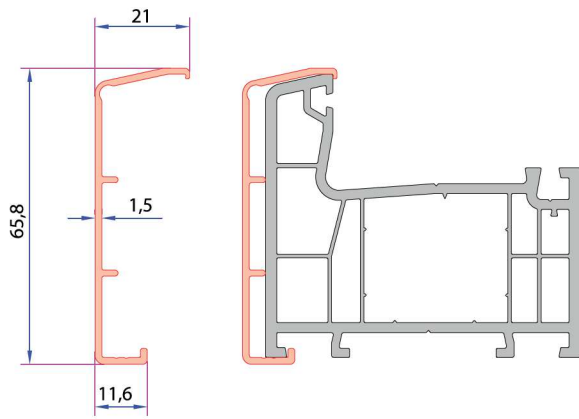
Mullion - Sash Installation



With Aluminium Threshold Frame Door Sash Installation

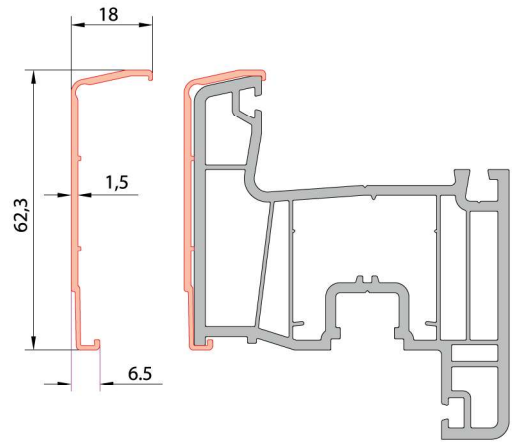


P 750 SERIES PVC PROFILE SYSTEM



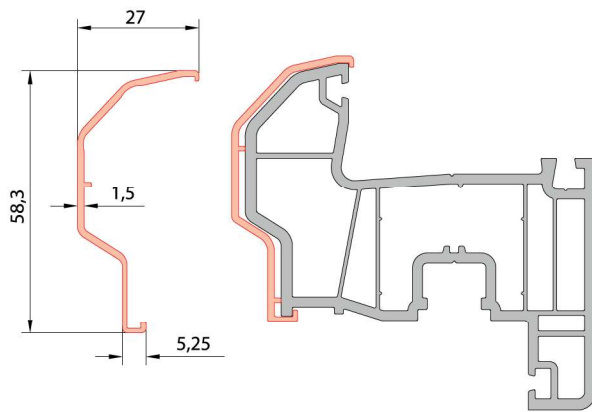
Aluminium Cladding Profile With Frame

Code:
34025 - 28010 (Alm. Color)
34025 - 29015 (Bronze)



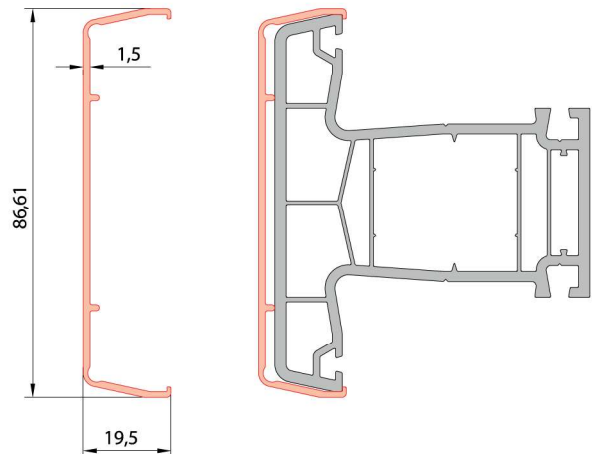
Aluminium Cladding Profile With Sash

Code:
34025 - 28030 (Alm. Color)
34025 - 29035 (Bronze)



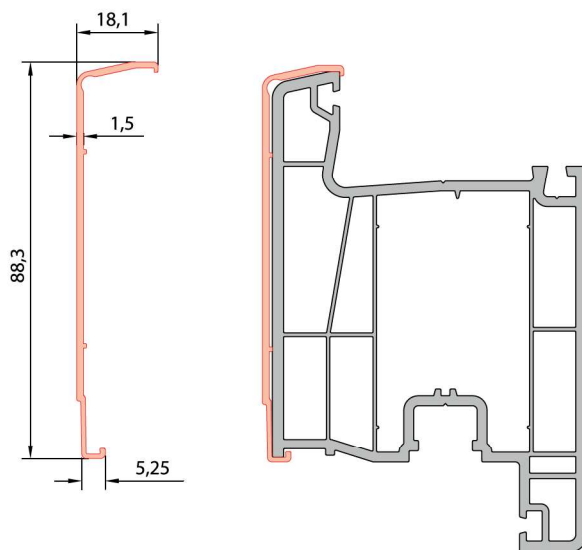
Aluminium Cladding Profile With Offset Sash

Code:
34025 - 28040 (Alm. Color)
34025 - 29045 (Bronze)



Aluminium Cladding Profile With Mullion

Code:
34025 - 28050 (Alm. Color)
34025 - 29055 (Bronze)



Aluminium Cladding Profile With Door Sash

Code:
34025 - 28060 (Alm. Color)
34025 - 29065 (Bronze)



Aluminium Color

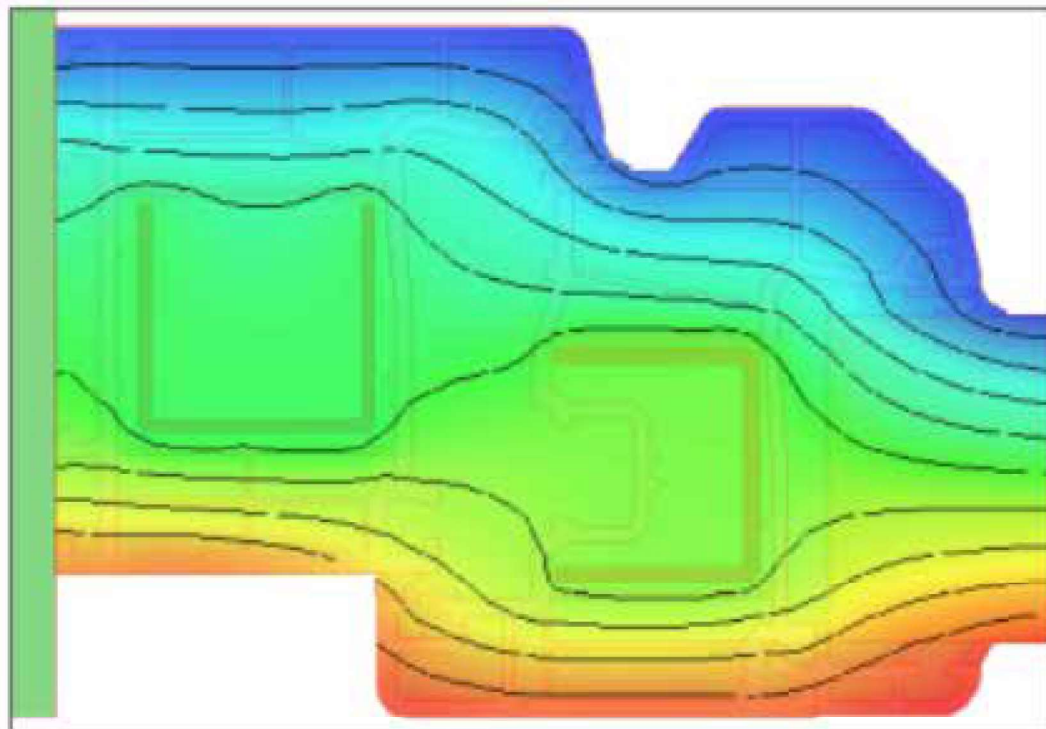


Bronze Color

Project name:	750 Super Frame- Offset Thype Sash 6		
Transmittance (Uf):	1.3000 W/m ² K	Internal T:	20.00 °C
Conductance (Lf2D):	0.2920 W/mK	External T:	0.00 °C
Frame length (Bf):	118.00 mm		



Thermal transmittance (Uf) computation performed in accordance with EN ISO 10077-2:2012



0.31 18.19

Node details

Primitives used for finite element simulation:	19282
Frame width (Bf):	118.00 mm
Visible insulation panel width (Bp):	189.91 mm
Insulation panel thickness (Dp):	46.20 mm

External boundary conditions:

Temperature:	0.00 °C
Surface resistance:	0.040 m ² K/W

Internal boundary conditions:

Temperature:	20.00 °C
Surface resistance:	0.130 m ² K/W
Humidity:	-

Results computed in accordance with EN ISO 10077-2:2012

Internal/external temperature difference:	-
2D conductance (Lf2D):	0.2920 W/mK
Transmittance (Uf):	1.3000 W/m²K



FACTORY

Antalya Organize Sanayi Bölgesi 2.Kısım Mah. 21.Cadde No:3

07040 Döşemealtı / ANTALYA / TURKEY

Tel : +90 242 236 20 00 · Faks : +90 242 236 20 90 · Email : info@ado.com.tr

