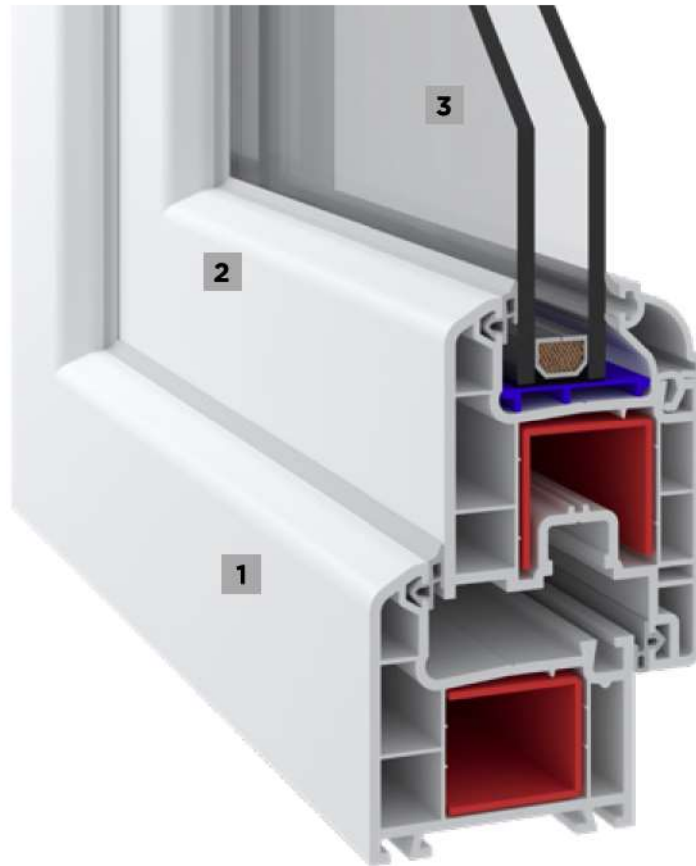




**PLASPEN<sup>®</sup>**

**P 632 SERIES  
PVC PROFILE SYSTEM**



## TECHNICAL

### P 632 SERIES

**Profile Width:** 60 mm

**Number of chambers:** 3

**Profile Class:** B Class (TS EN 12608-1)

**Seal Type:** External / Internal double seal system

**Seal Type and Color:** TPE - Grey /Black

**Glass Thickness (mm):** 4, 20, 24, 30, 32 mm

**The thermal insulation Uf:** 1,58 W/m<sup>2</sup>K

- 1** Frame 3 chambers system.
- 2** Offset and flat sash option
- 3** Double and triple glass option.

## INSTRUCTION

- The main profile has 60 mm width.
- Because of the elastic grey and black seal which does not leave any stain on profiles will be provided maximum air, water, dust and sound isolation.
- Due to the 3 chambers profiles, it has maximum performance for thermal, sound and water isolation.
- It is a series of profiles with very special design that provides maximum wind resistance on high rise buildings.
- Excluding normal sash profile there is also chance to have a choice for offset type sash profile.
- In addition to white profile a different laminated color range is available.
- 4-5 mm single glazing application of 20, 24, 30, 32 mm glazing beads give us alternatives of using double, triple glazing and panels.
- It provides the visual integrity in the inner surface and the frame-wall connections due to integrated frame with sill profile.

## LAMINATED COLORS



**GOLDEN OAK  
ST 540**



**DARK OAK  
ST 641**



**SWAMP OAK  
ST 503**



**LIGHT OAK  
ST 515**



**GREY SAND  
AS 509**



**GREY  
ST 507**



**ANT. GREY  
ST 508**



**ANT. GREY  
AS 508**

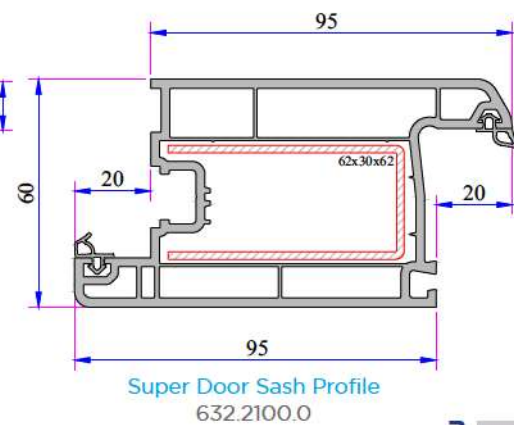
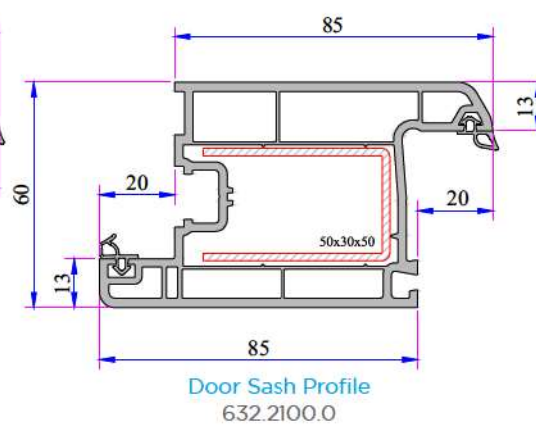
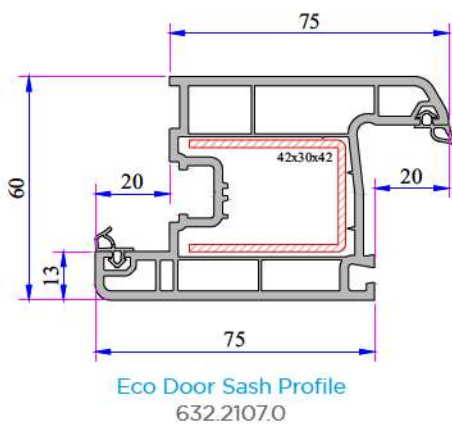
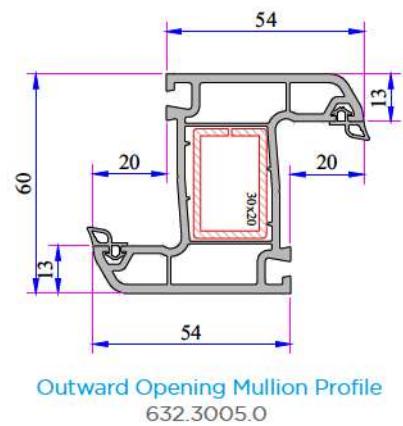
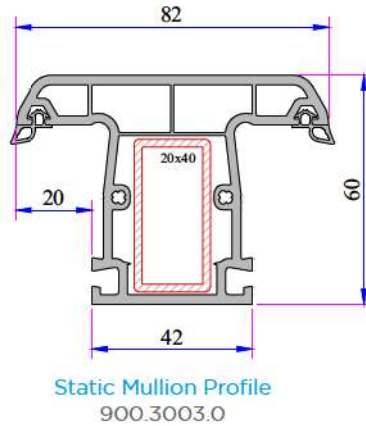
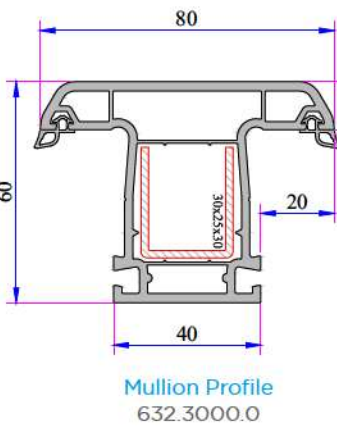
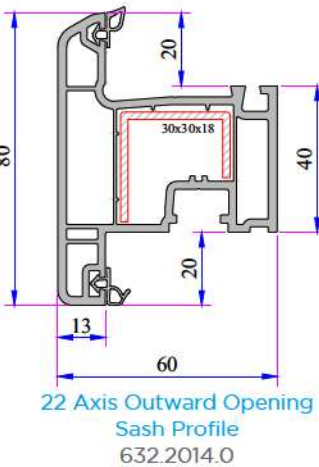
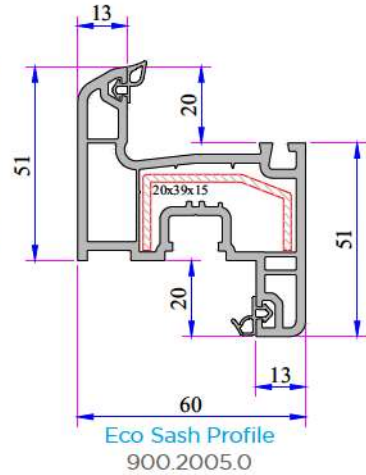
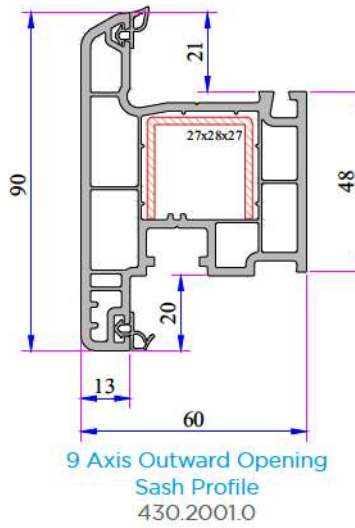
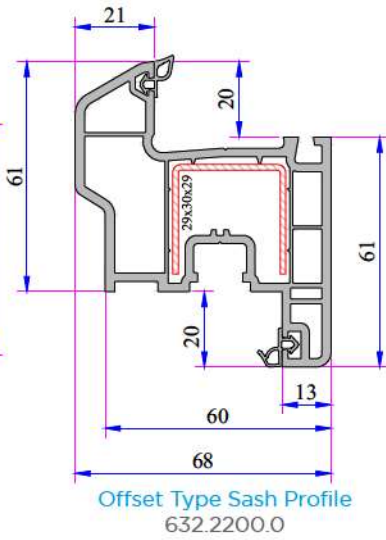
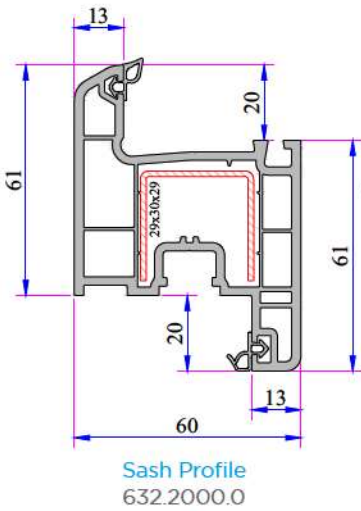
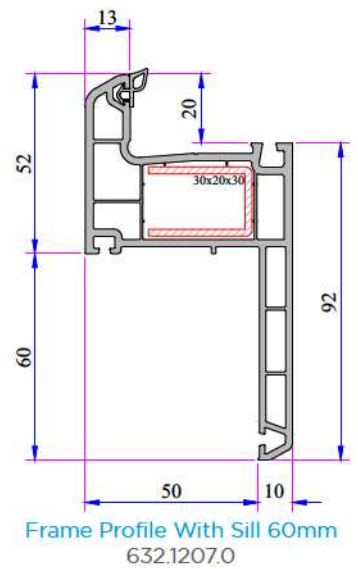
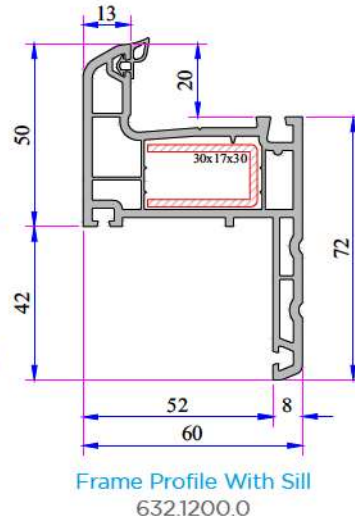
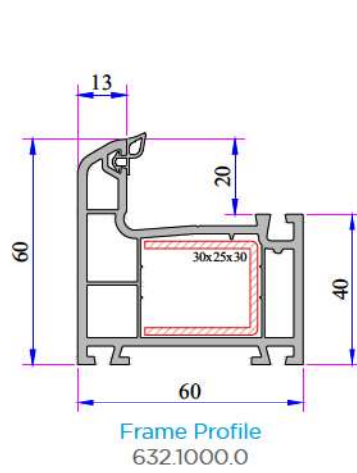
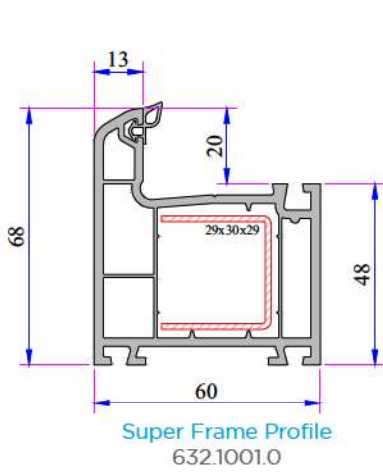


**MAHOGANY  
ST 504**

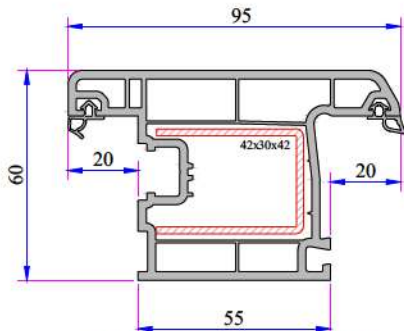


**CREAM  
AS 057**

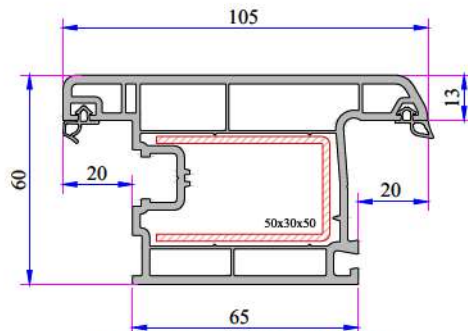
# P 632 SERIES PVC PROFILE SYSTEM



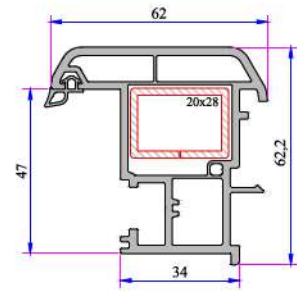




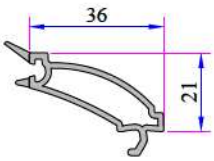
**Outward Opening Eco Door Sash Profile**  
632.2108.0



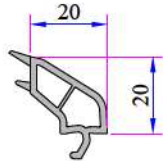
**Outward Opening Door Sash Profile**  
632.2101.0



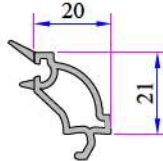
**Lap Joint Profile**  
632.3100.0



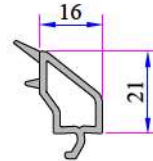
**Single Glazing Bead 4-6 mm**  
101.4002



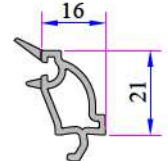
**Double Glazing Bead 20 mm**  
101.4100



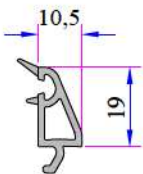
**Double Glazing Bead 20 mm**  
101.4102



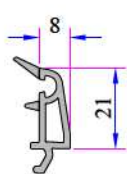
**Double Glazing Bead 24 mm**  
750.4500



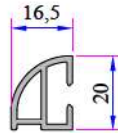
**Double Glazing Bead 24 mm**  
101.4202



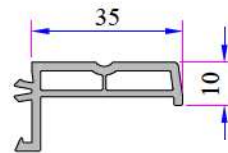
**Double Glazing Bead 30 mm**  
332.4100



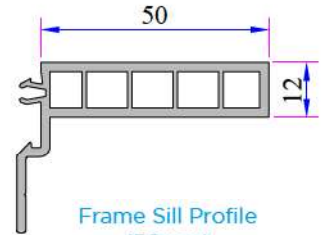
**Double Glazing Bead 32 mm**  
101.4500



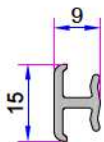
**Offset Profile**  
900.6307



**Frame Sill Profile (35mm)**  
099.5523



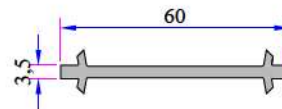
**Frame Sill Profile (50mm)**  
099.5524



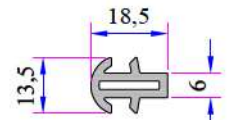
**Universal Short Coupling Profile**  
099.5004



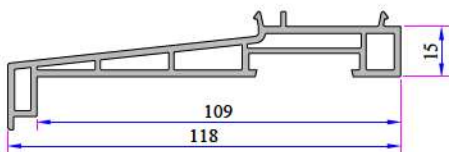
**Universal Large Coupling Profile Cover**  
058.5707



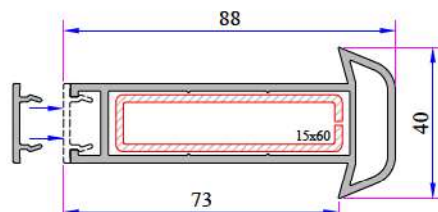
**Narrow Couple Profile**  
060.5001



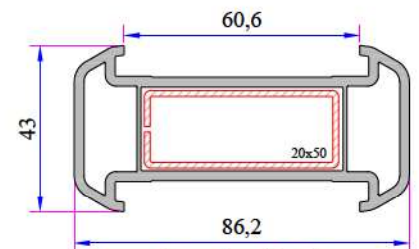
**Short Coupling Profile**  
099.5003



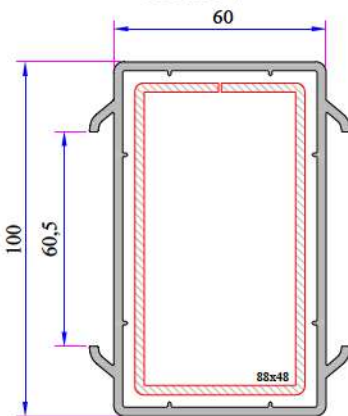
**Sill Profile**  
058.5504



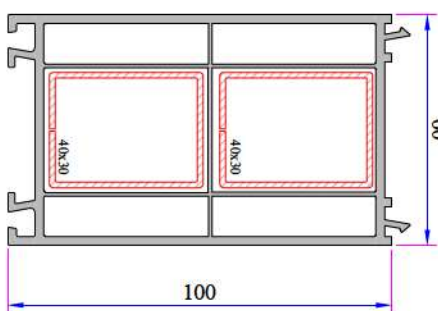
**Universal Large Coupling Profile**  
058.5000



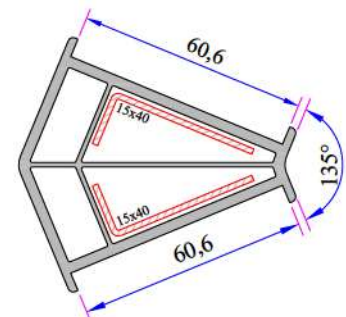
**Large Coupling Profile**  
060.5000



**60x100 Spiked Box Profile**  
060.5203.0.00

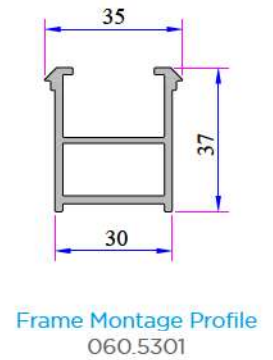
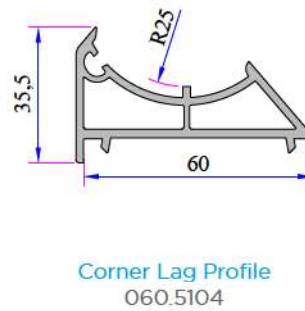
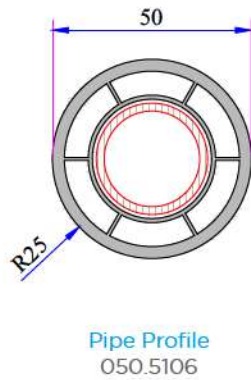
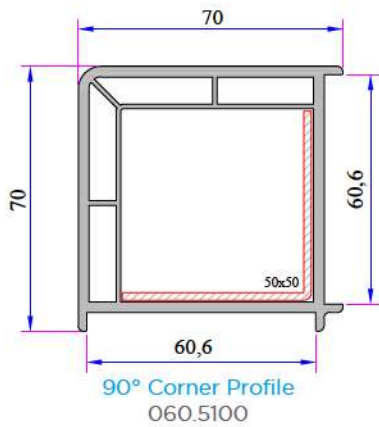


**60x100 Frame Lifting Profile**  
900.5303

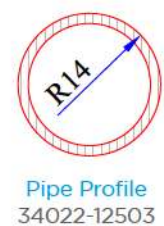
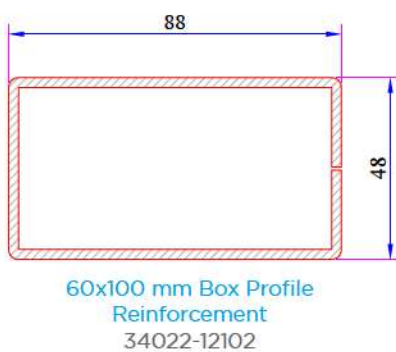
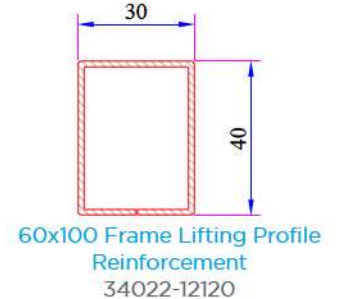
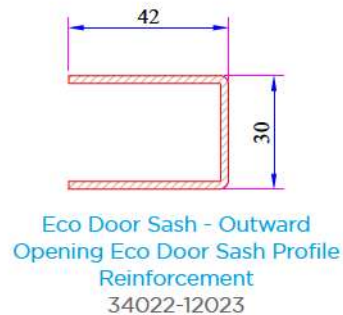
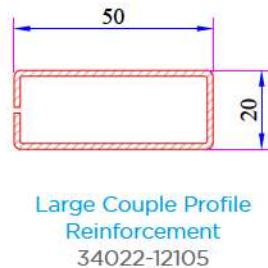
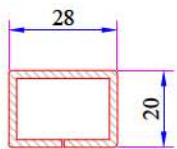
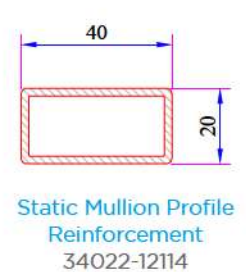
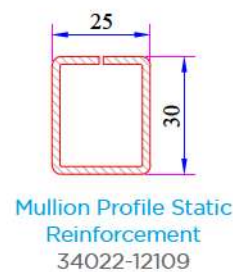
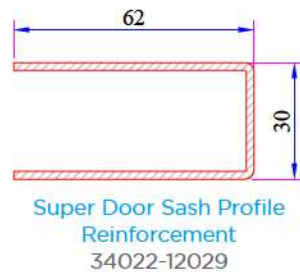
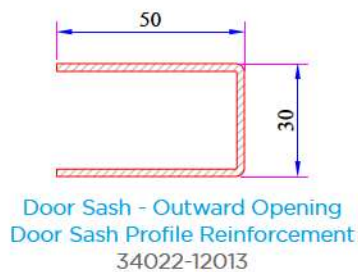
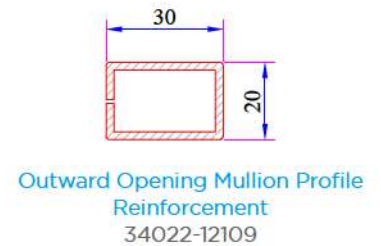
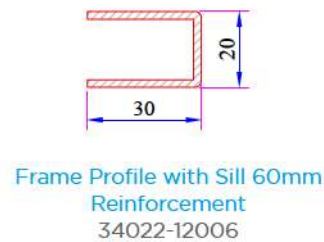
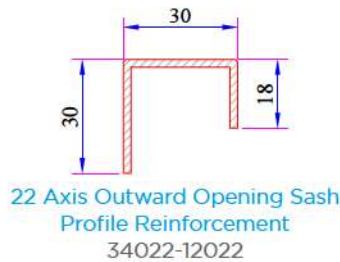
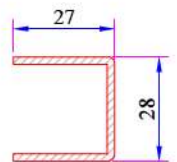
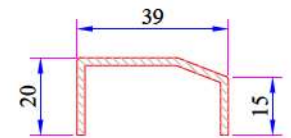
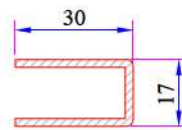
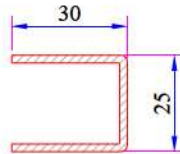
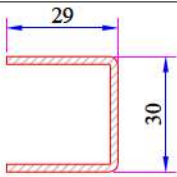


**135° Corner Profile**  
060.5102

# P 632 SERIES PVC PROFILE SYSTEM

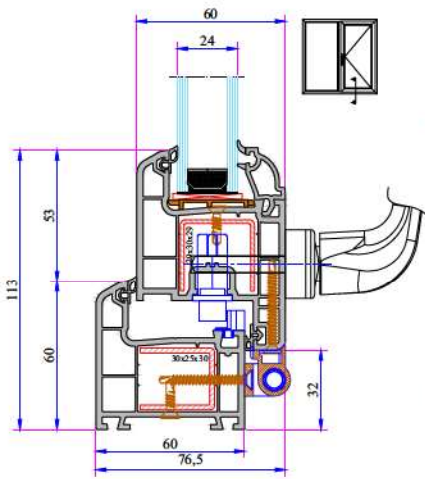


## W 632 Re-Inforcement Profiles

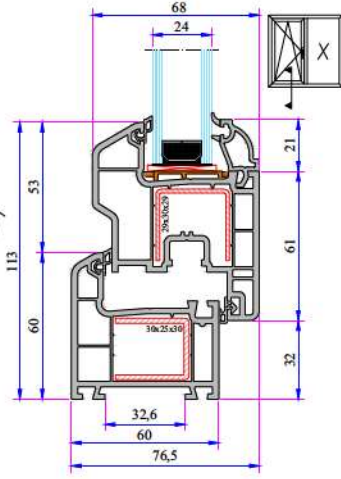




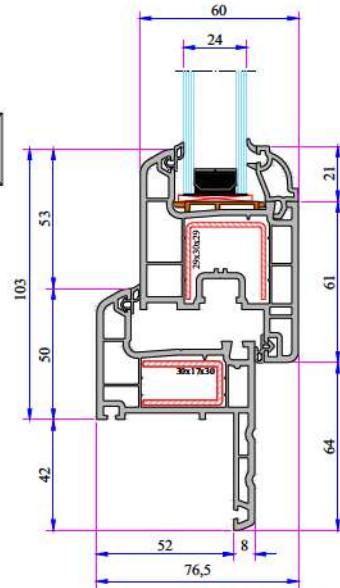
W 632 Installation



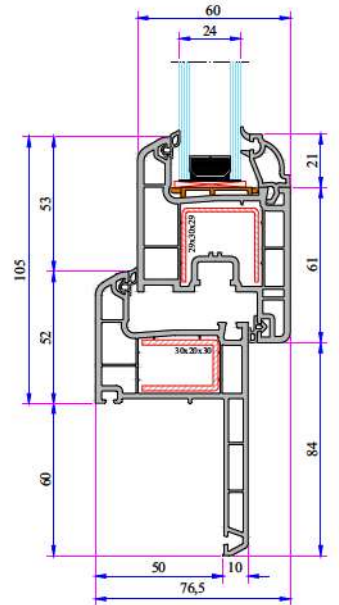
Frame - Sash Installation



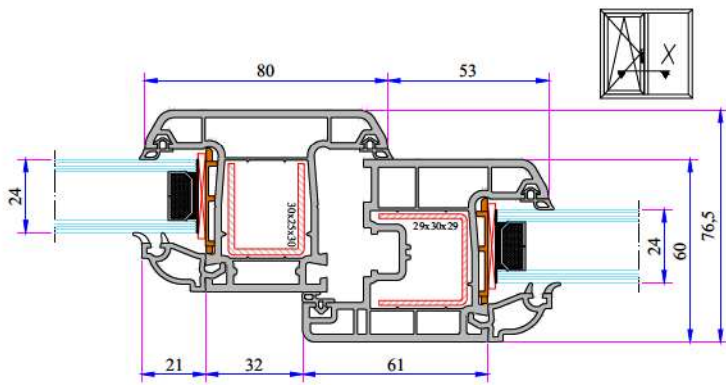
Frame - Offset Type Sash Installation



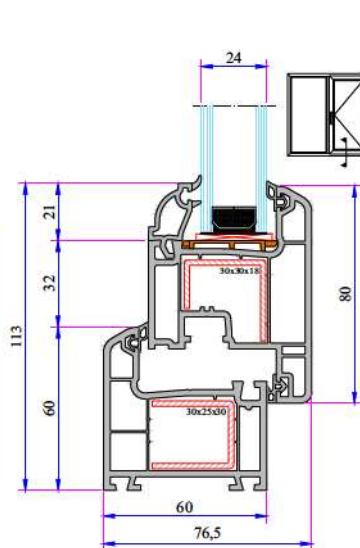
Frame with Sill - Sash Installation



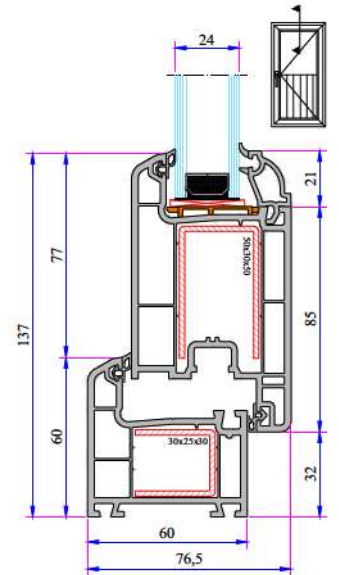
Frame with Sill (60mm) - Sash Installation



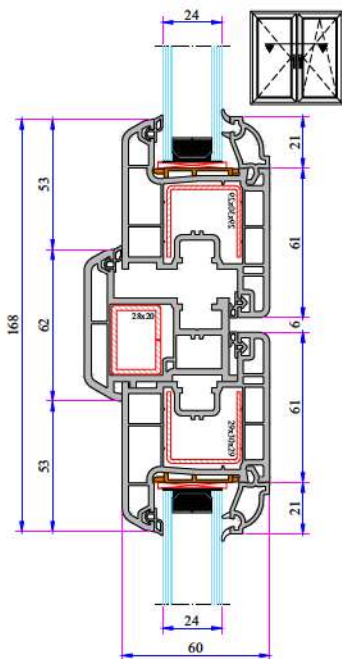
Mullion - Sash Installation



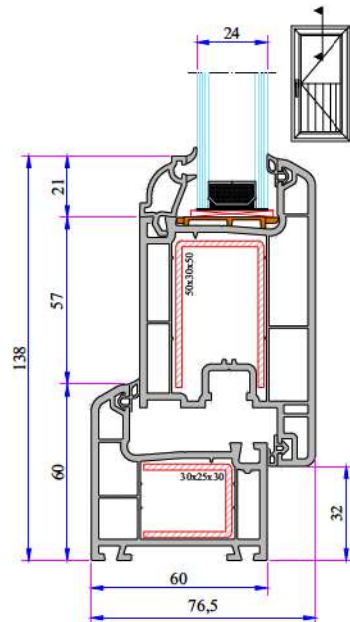
Frame - Outward Opening Sash Installation



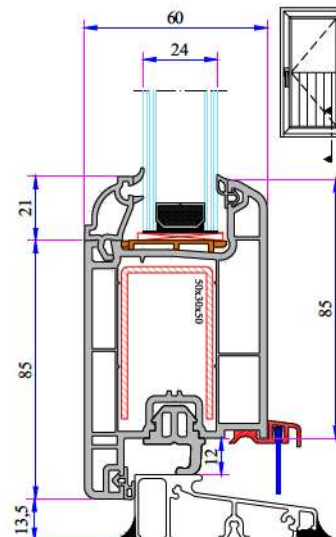
Frame - Door Sash Installation



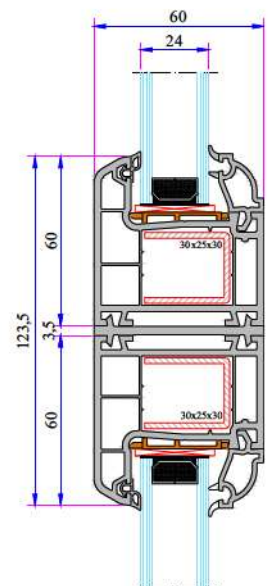
Sash - Lap Joint - Sash Installation



Frame - Outward Opening Door Sash Installation

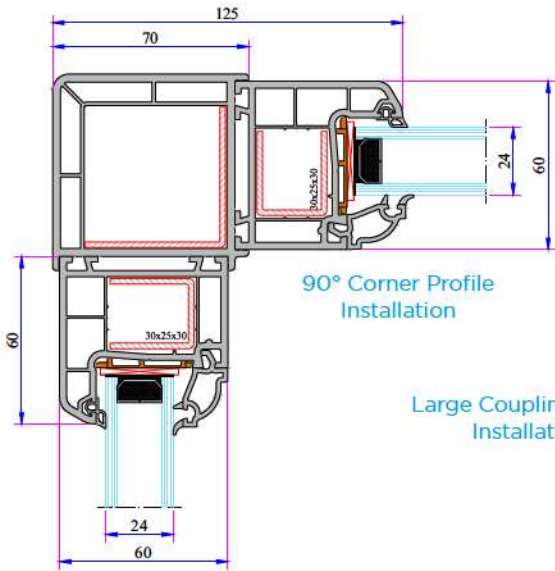


With Aluminium Threshold Frame Door Sash Installation



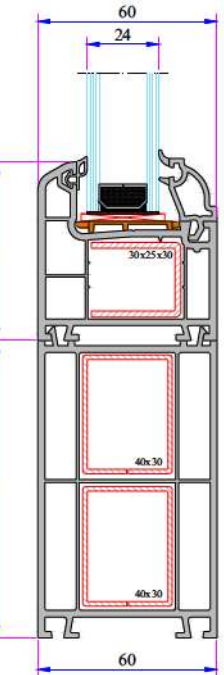
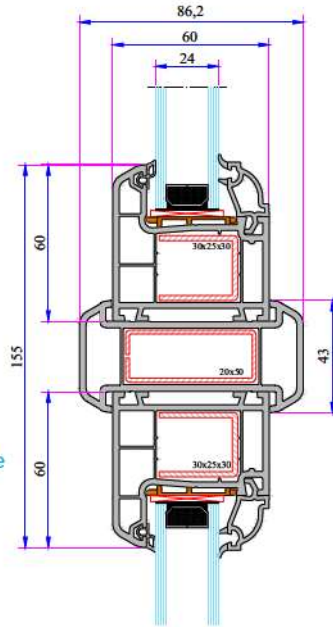
Narrow Coupling Profile Installation

**P 632 SERIES  
PVC PROFILE SYSTEM**

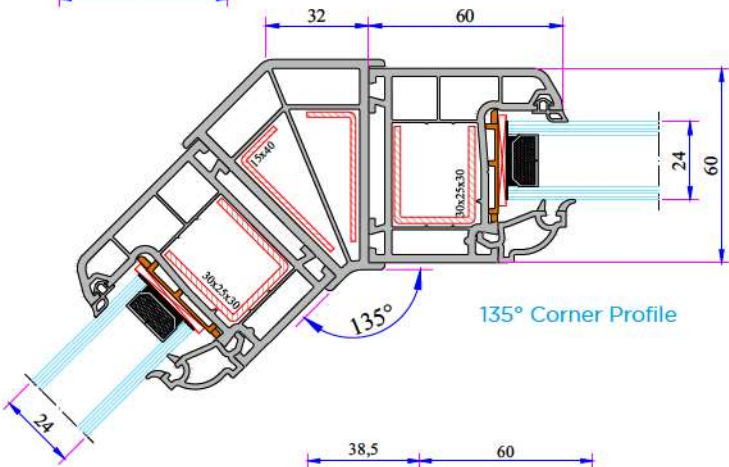


90° Corner Profile Installation

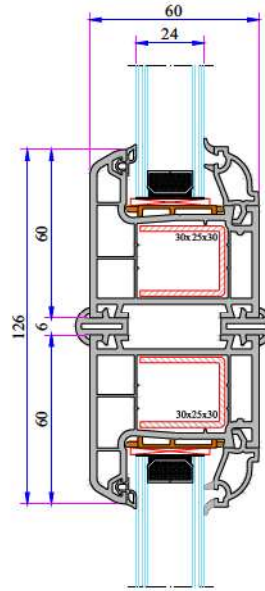
Large Coupling Profile Installation



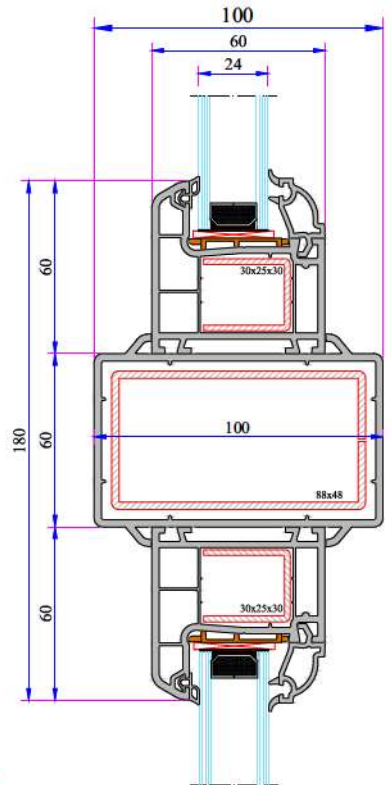
100mm Frame Lifting Profile Installation



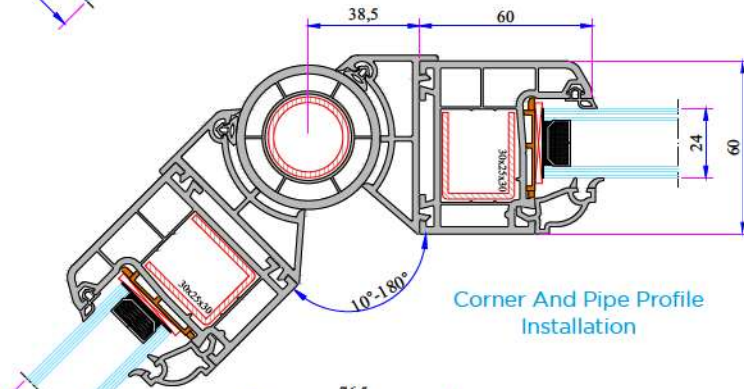
135° Corner Profile



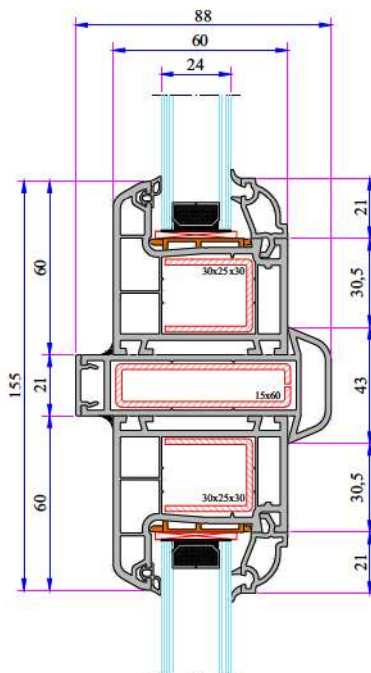
Short Coupling Profile Installation



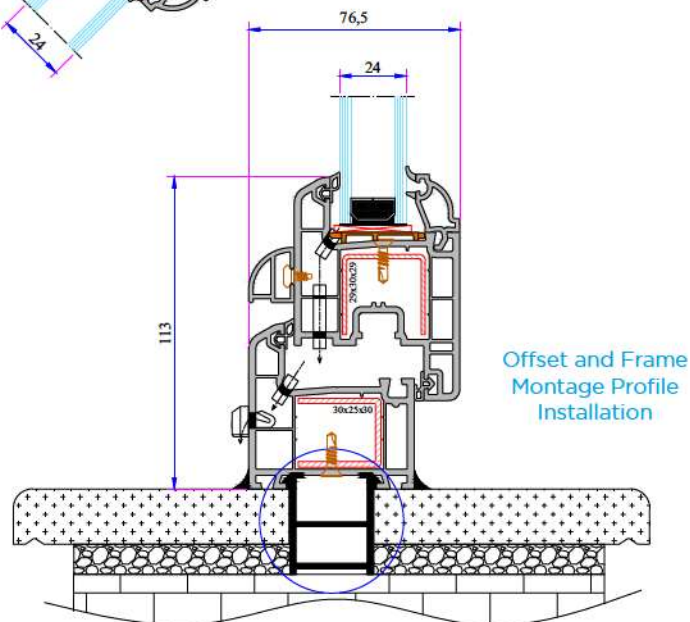
60x100 Box Profile Installation



Corner And Pipe Profile Installation



Universal Large Coupling Profile Installation



Offset and Frame Montage Profile Installation









**FACTORY**

Antalya Organize Sanayi Bölgesi 2.Kısım Mah. 21.Cadde No:3

07040 Döşemealtı / ANTALYA / TURKEY

Tel : +90 242 236 20 00 · Faks : +90 242 236 20 90 · Email : info@ado.com.tr

