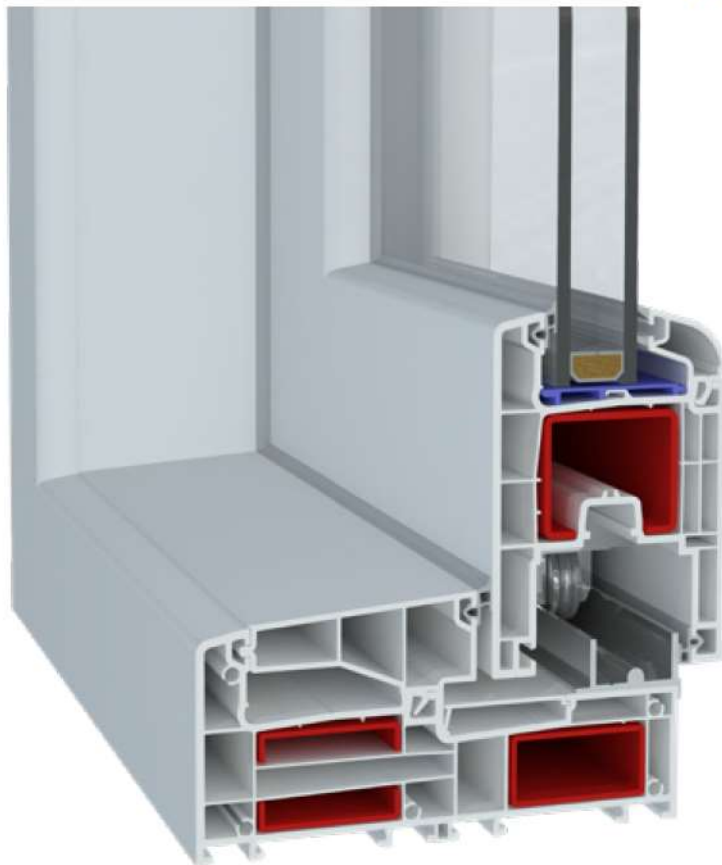




ADO

**770 THERMO SLIDING SERIES
PVC PROFILE SYSTEM**



TECHNICAL

THERMO SLIDE 770

Profile Width : 140mm Frame, 70mm Sash

Number of chambers : 4

Profile Class : B Class (TS EN 12608-1)

Seal Type : External-Internal double seal system

Seal Type and Color : EPDM -TPE - Grey / Black

Glass Thickness (mm) : 4, 20, 24, 28, 32, 40, 42mm

The thermal insulation Uf : 1,40 W/m²K

INSTRUCTION

Thermo Sliding System, which offers maximum insulation and ease of use by combining large and modern living spaces with full security based on its high security performance, has 140 mm frame and 70 mm wing width.

Compared to the existing classic sliding systems with bristle weatherstrip; it has maximum air and water tightness thanks to the inner and outer sealed joint details.

It offers energy efficiency and comfortable living spaces with high thermal insulation, thanks to the application of glass thickness up to 42 mm.

You can create a comfortable living space by combining your garden with your living room, because it can be produced in large sizes up to 6 meters width and 2.5 meters height with its two-partition and four-partition options.

Thanks to the large glass surfaces created, you can feel the wide and spacious views inside your home.

It offers the possibility of use on high floors with the alternatively-designed static, mullion profiles.

With the new generation sliding accessories used in the system, it can be opened and closed without any efforts and does not allow the system to break down due to wrong use.

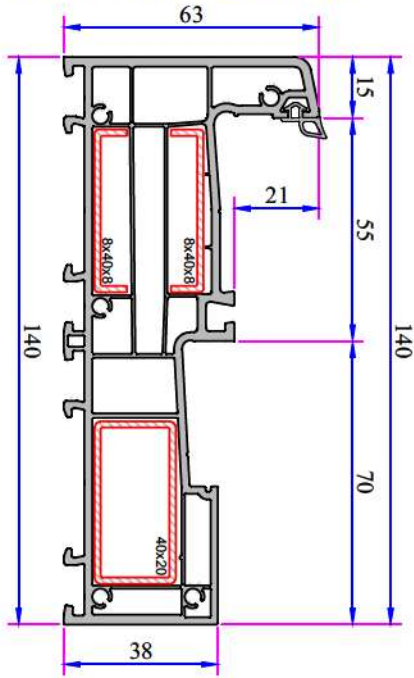
Due to its system features, it ensures locking with maximum pressure in the frame and wing joints. If you want to ventilate the space, it is possible to ensure ventilation by moving the wing inwards by 4 mm.

Specially-designed laths are available in many options such as 20 mm, 24 mm, 28 mm, 32 mm, 40 mm and 42 mm.

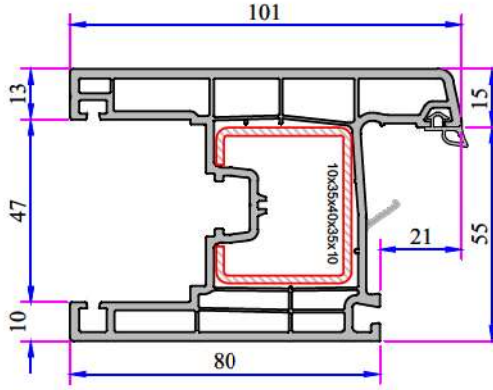
COLOR OPTIONS

								
DARK BLACK ST 520	DARK BLACK AS 520	SWAMP OAK ST 503	SAND GREY AS 509	SAND GREY ST 509	MAHOGANY ST 504	P. DARK OAK ST 541	P. GOLDEN OAK ST 540	NATURAL OAK HR 570
								
ANTRASIT GREY ST 508	ANTRASIT GREY AS 508	ANTRASIT GREY ST 516	GREY ST 507	SILVER SB 518	SILVER TEAK SB 513	WHITE ST 517	LAKE BLUE ST 522 for Penwood	MOSS GREEN ST 521 for Penwood

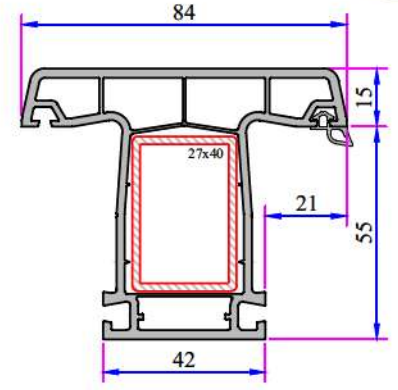
770 THERMO SLIDING SERIES PVC PROFILE SYSTEM



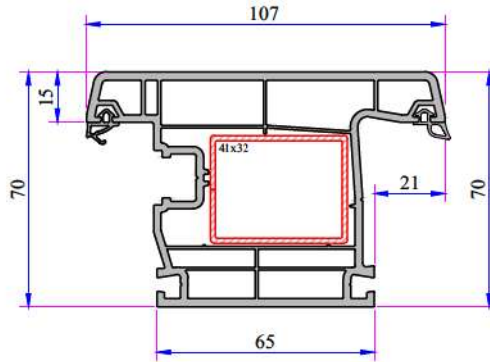
Sliding Frame Profile
P.A.770.1100.650.0.BB.10



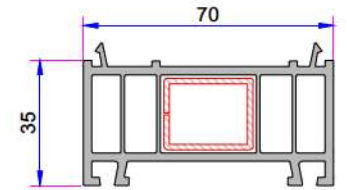
Sliding Sash Profile
P.A.770.2301.650.0.BB.10



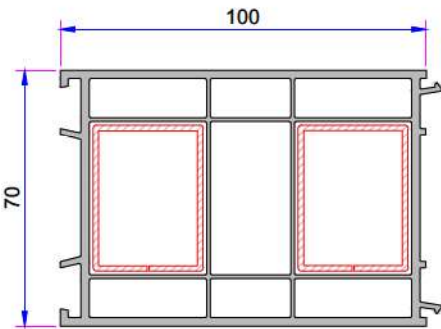
Mullion Profile
P.A.770.3201.600.0.TB.10



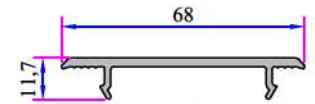
Outward Opening Door Sash Profile
P.A.750.2101.650.0.BB.10



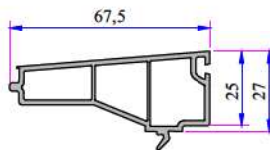
35mm Frame Lifting Profile
P.A.070.5300.600.0.00.19



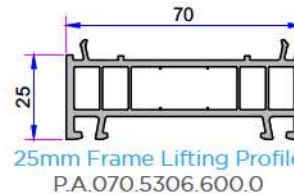
100mm Frame Lifting Profile
P.A.070.5302.600



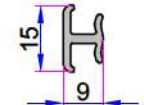
Sliding Sash Cover
P.A.770.5704.650



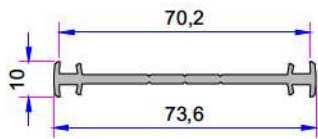
Sliding Frame Single Rail Cover
P.A.770.5703.650



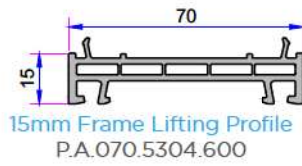
25mm Frame Lifting Profile
P.A.070.5306.600.0.0



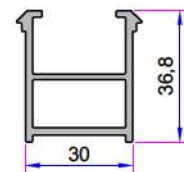
Universal Short Coupling Profile
P.A.099.5004.600



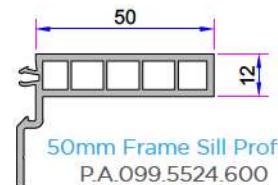
Narrow Coupling Profile
P.A.070.5001.600



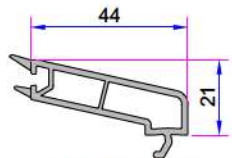
15mm Frame Lifting Profile
P.A.070.5304.600



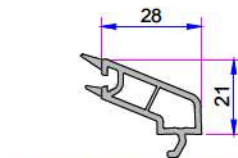
Frame Montage Profile
P.A.060.5301.600



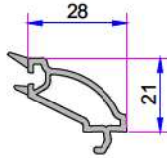
50mm Frame Sill Profile
P.A.099.5524.600



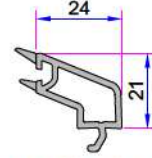
4-6mm Single Glazing Bead
P.A.750.4102.600.0.HC



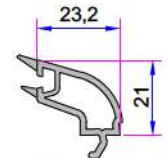
20mm Double Glazing Bead
P.A.750.4200.600.0.HC



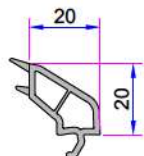
20mm Double Glazing Bead
P.A.750.4204.600.0.HC



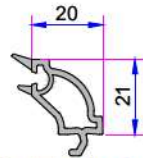
24mm Double Glazing Bead
P.A.750.4200.600.0.HC



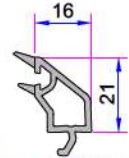
24mm Double Glazing Bead
P.A.750.4204.600.0.HC



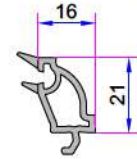
28mm Double Glazing Bead
P.A.101.4100.600.0.HC



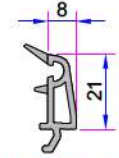
28mm Double Glazing Bead
P.A.101.4102.600.0.HC



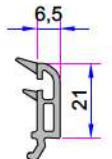
32mm Triple Glazing Bead
P.A.750.4500.600.0.HC



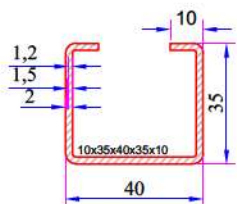
32mm Triple Glazing Bead
P.A.101.4202.600.0.HC



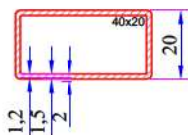
40mm Triple Glazing Bead
P.A.532.4400.600.0.HC



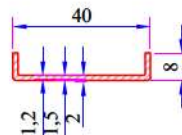
42mm Triple Glazing Bead
P.A.532.4500.600.0.HC



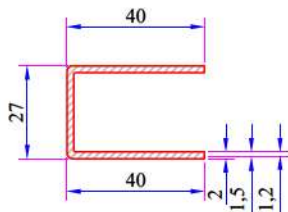
34022-12132 Thickness:1.2mm	34022-15132 Thickness:1.5mm	34022-20132 Thickness:2 mm
Ix : 3,93 cm ⁴	Ix : 4,81 cm ⁴	Ix : 6,19 cm ⁴
Iy : 2,44 cm ⁴	Iy : 2,97 cm ⁴	Iy : 3,80 cm ⁴



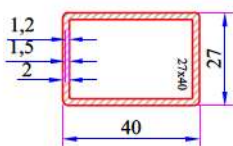
34022-12114 Thickness:1.2mm	34022-15114 Thickness:1.5mm	34022-20114 Thickness:2 mm
Ix : 0,94 cm ⁴	Ix : 1,13 cm ⁴	Ix : 1,42 cm ⁴
Iy : 2,79 cm ⁴	Iy : 3,41 cm ⁴	Iy : 4,37 cm ⁴



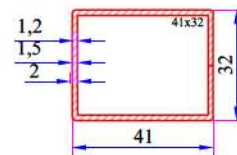
34022-12047 Thickness:1.2mm	34022-15047 Thickness:1.5mm	34022-20047 Thickness:2 mm
Ix : 0,26 cm ⁴	Ix : 0,31 cm ⁴	Ix : 0,39 cm ⁴
Iy : 1,23 cm ⁴	Iy : 1,50 cm ⁴	Iy : 1,91 cm ⁴



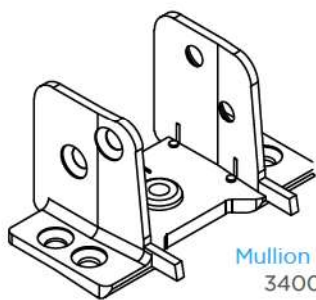
Thickness:1.2mm	Thickness:1.5mm	Thickness:2 mm
Ix : 1,73 cm ⁴	Ix : 2,10 cm ⁴	Ix : 2,69 cm ⁴
Iy : 2,10 cm ⁴	Iy : 2,60 cm ⁴	Iy : 3,40 cm ⁴



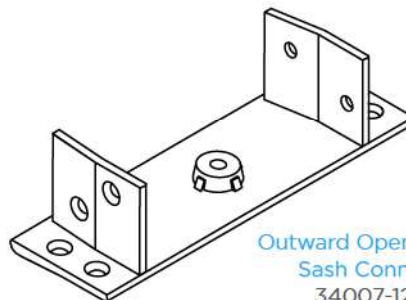
34022-12131 Thickness:1.2mm	34022-15131 Thickness:1.5mm	34022-20131 Thickness:2 mm
Ix : 3,43 cm ⁴	Ix : 4,19 cm ⁴	Ix : 5,38 cm ⁴
Iy : 1,86 cm ⁴	Iy : 2,26 cm ⁴	Iy : 2,87 cm ⁴



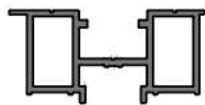
34022-12120 Thickness:1.2mm	34022-15120 Thickness:1.5mm	34022-20120 Thickness:2 mm
Ix : 2,83 cm ⁴	Ix : 3,45 cm ⁴	Ix : 4,40 cm ⁴
Iy : 4,15 cm ⁴	Iy : 5,07 cm ⁴	Iy : 6,51 cm ⁴



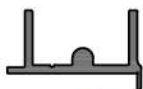
Mullion Connector
34007-12140



Outward Opening Door
Sash Connector
34007-12150



Aluminium
Espagnolette Adapter
AD 16 - 063



Aluminium Bottom Rail
AD 16 - 064



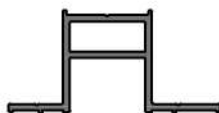
Aluminium Top Rail
AD 16 - 065



Aluminium Espagnolette
Centering
AD 16 - 066



Aluminium Frame
Channel Cover
AD 16 - 067



Alm. Double Rail
Adaptor Profile
AD 16 - 068



Aluminium Double
Sash Clamp
AD 16 - 069



Alm. Sliding Sash
Cover Profile



Frame Seal Epdm
Ado - 13
34024-11070

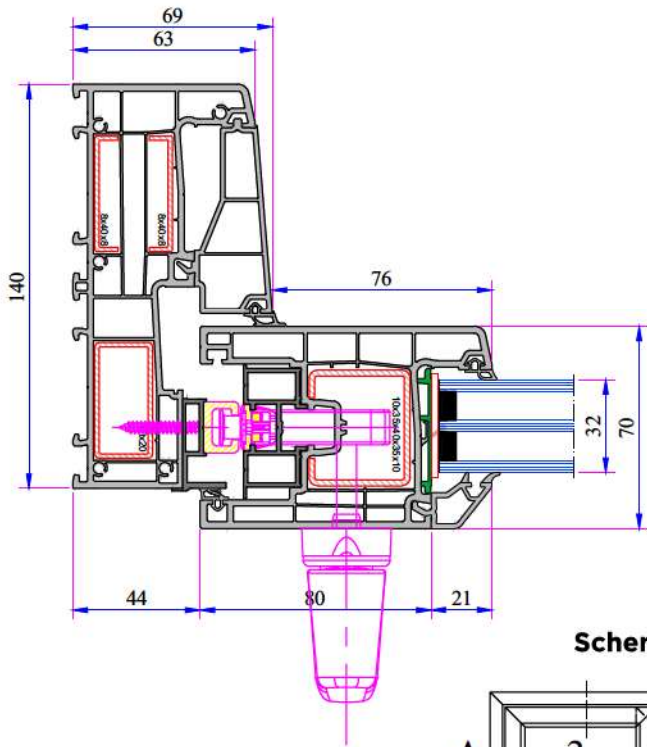


Sash Seal Epdm
Ado - 14
34024-12070

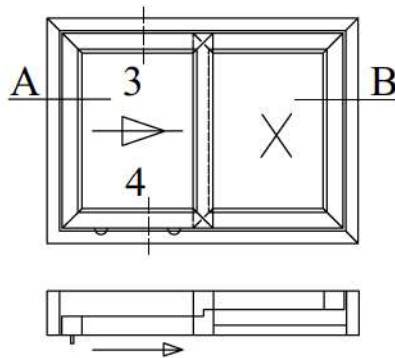


Rubber Band
Epdm Bnt-05
34024-13010

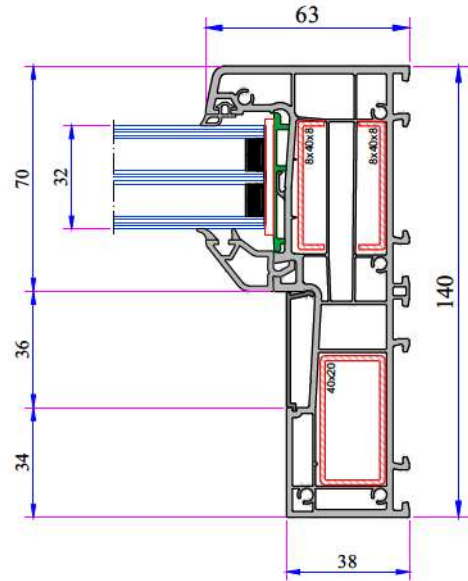
A Section



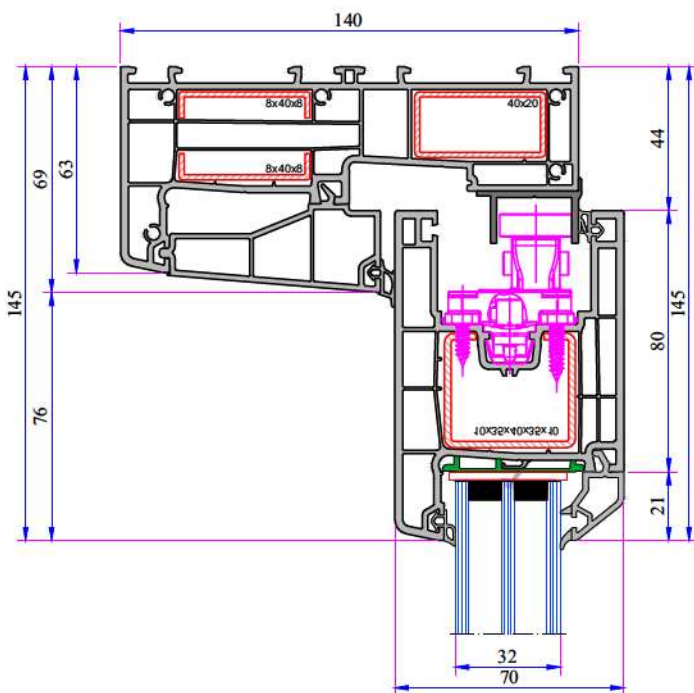
Schema A



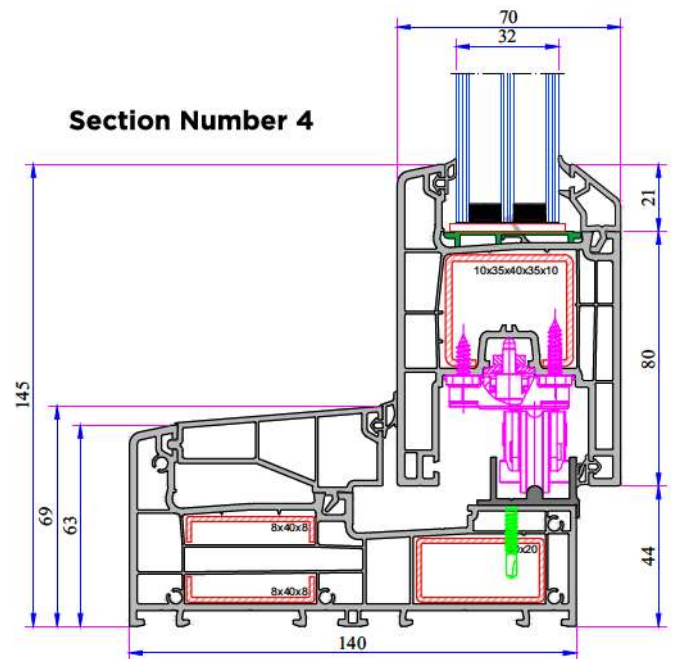
B Section



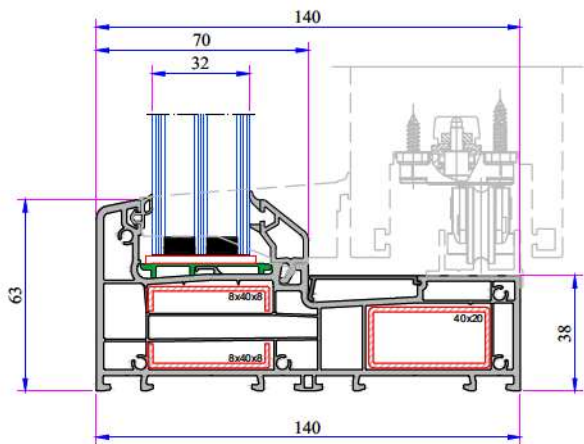
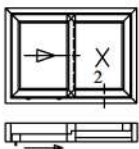
Section Number 3



Section Number 4

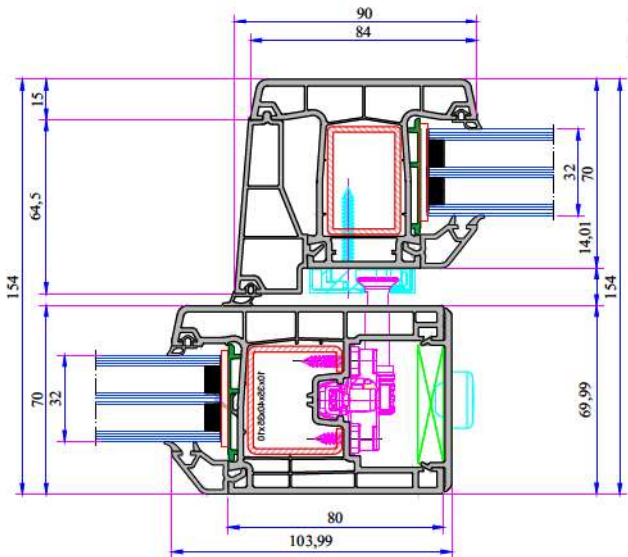
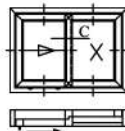


Schema A



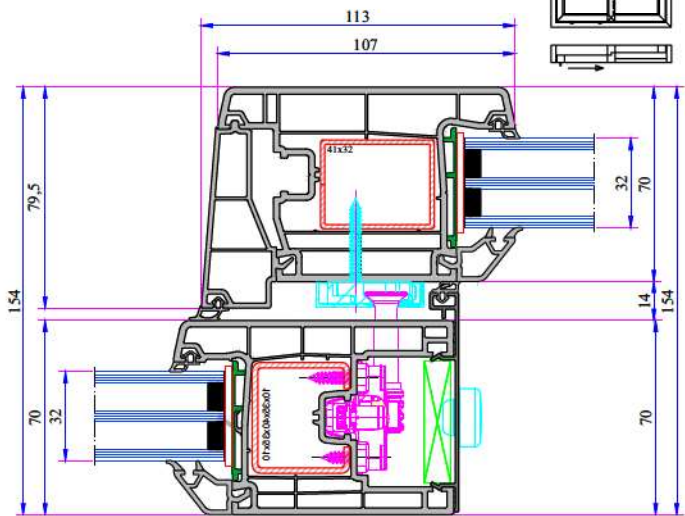
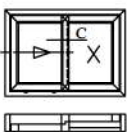
Frame - Fix Glass

Schema A



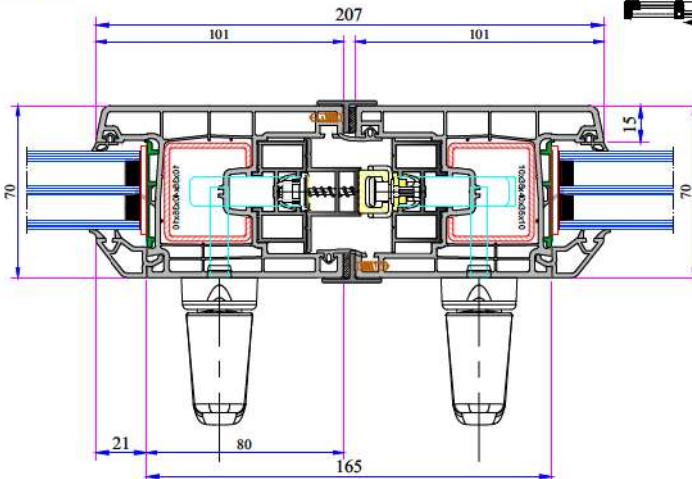
Mullion Montage

Schema A



Mullion Montage

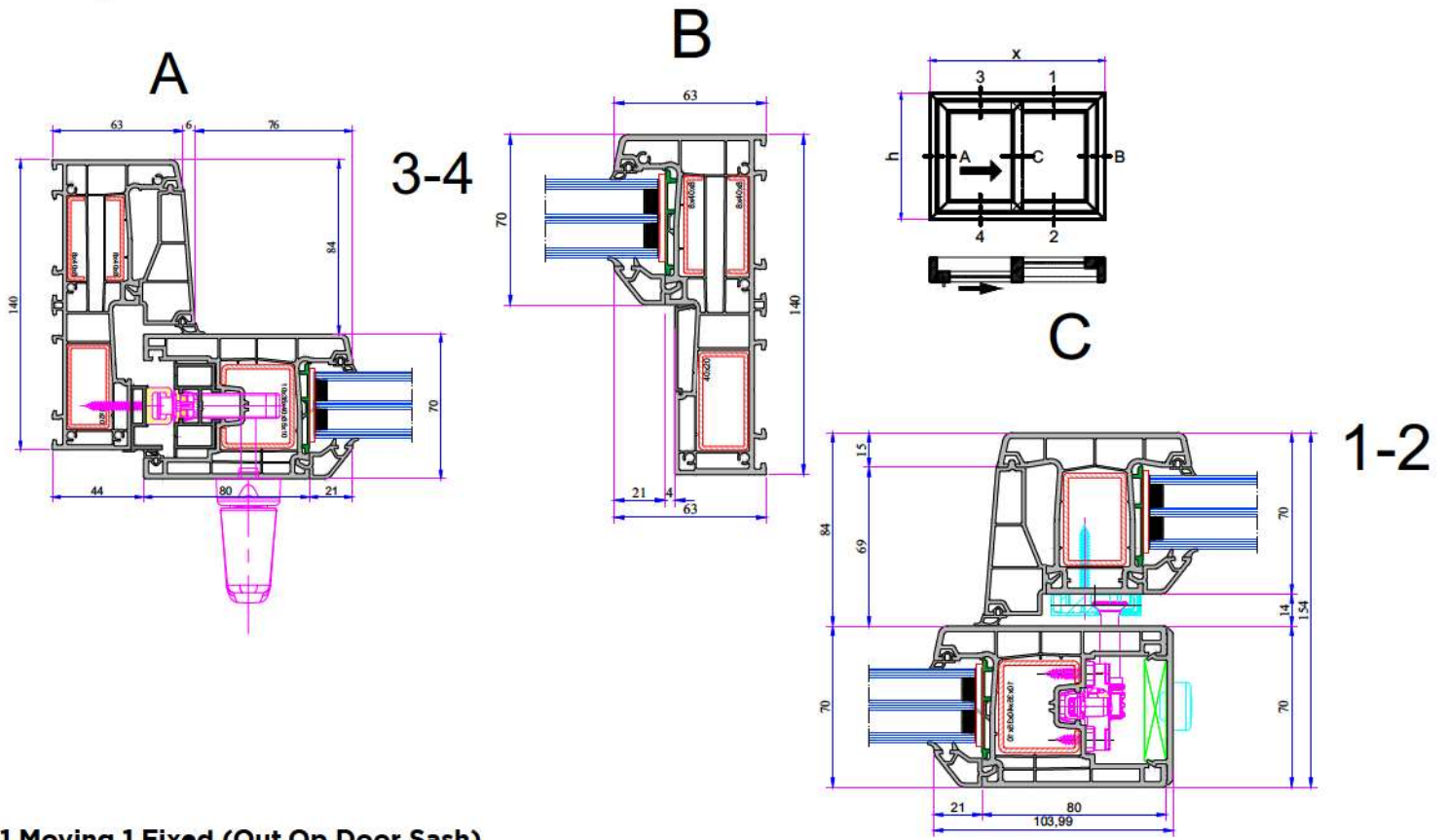
Schema C



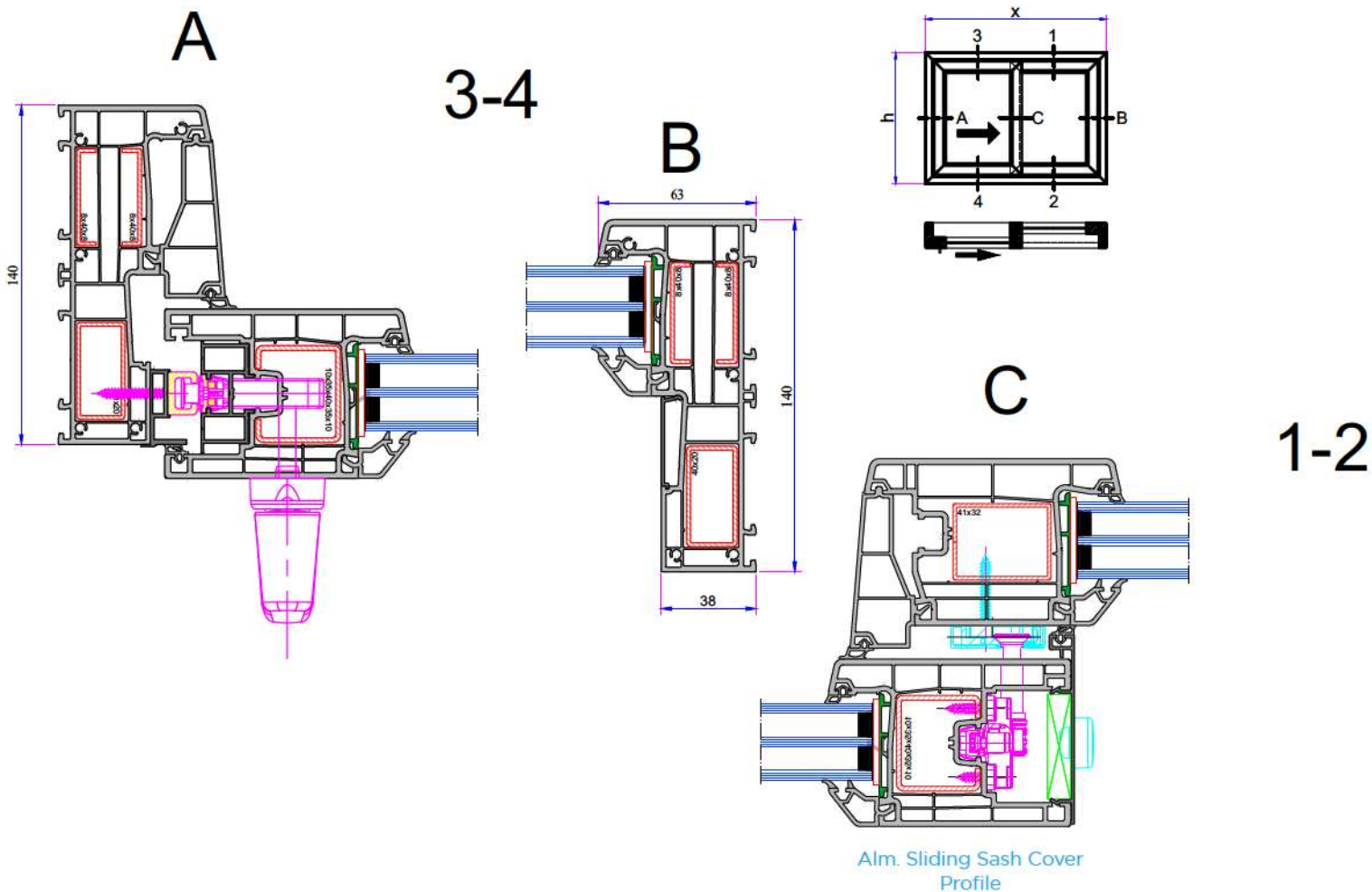
Double Sash Montage

770 THERMO SLIDING SERIES PVC PROFILE SYSTEM

1 Moving 1 Fixed

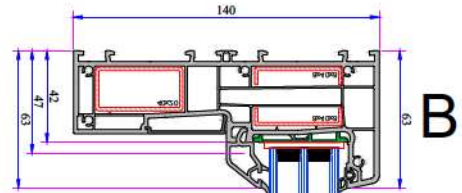
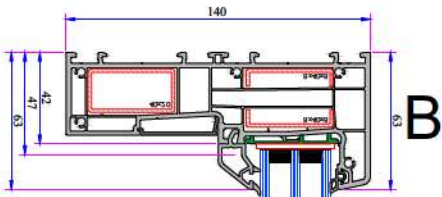


1 Moving 1 Fixed (Out.Op Door Sash)



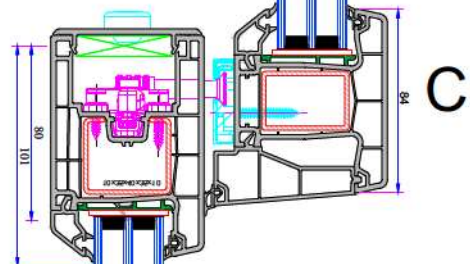
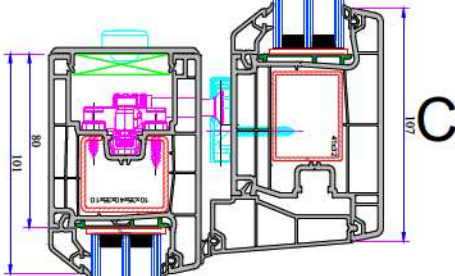
2 Moving 2 Fixed (Out.Op Door Sash)

2 Moving 2 Fixed



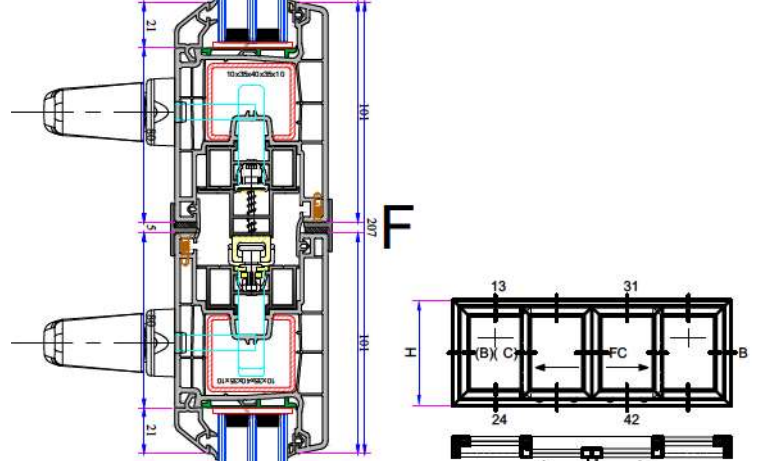
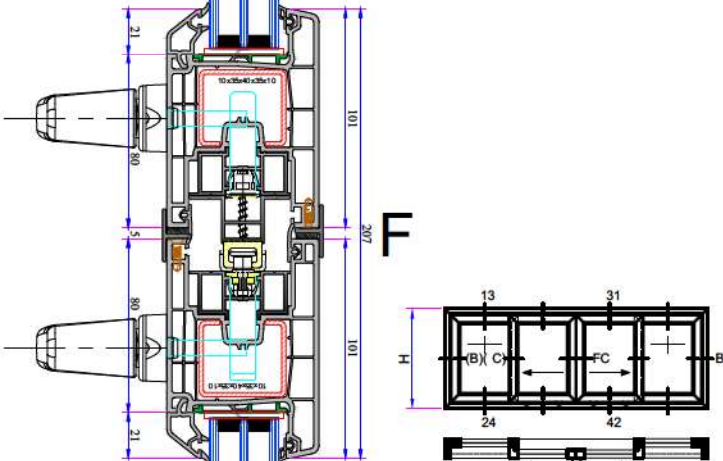
(1-2)

(1-2)



(3-4)

(3-4)

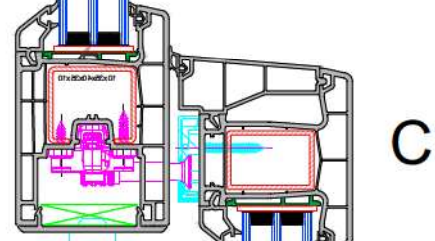
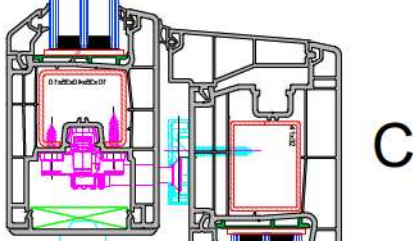


F

F

3-4

(3-4)

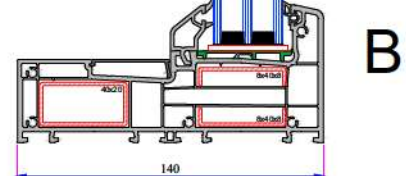
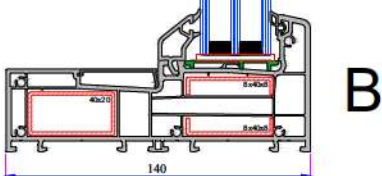


C

C

1-2

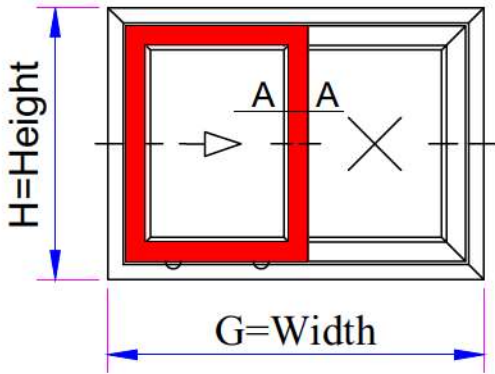
(1-2)



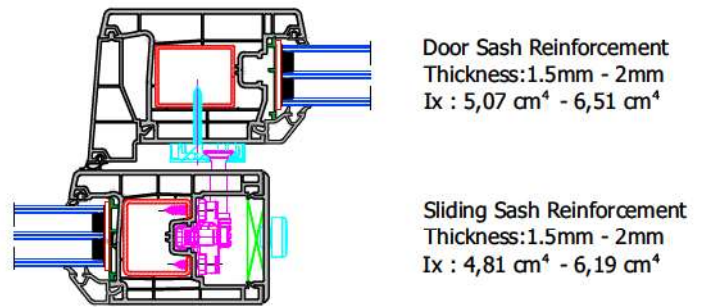
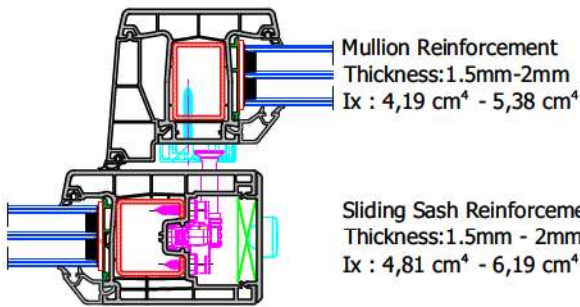
B

B

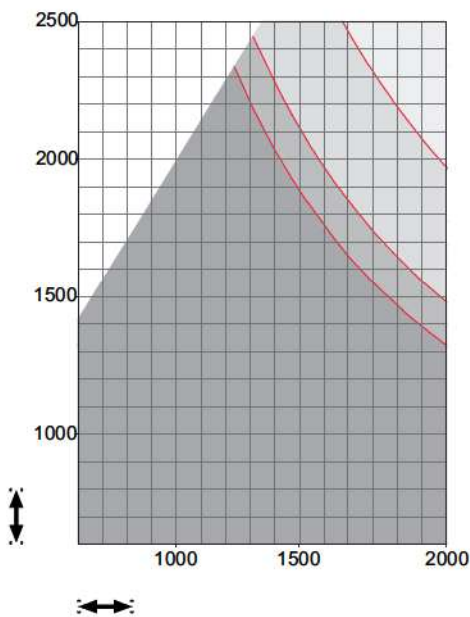
Application Diagrams



Max. Height = 2,50m
Max. Width = 1,50m



3.3.1 200 kg



- = Impermissible application range
- ≤ 35 kg/m²
- ≤ 50 kg/m²
- ≤ 70 kg/m²
- ≤ 80 kg/m²

The specifications in the application diagram refer to the glass weight in kg/m².
1 mm/m² glass thickness += 2.5 kg
SRH:SRW = max. 2:1

		Application range	
	Sash rebate width (SRW)	Control unit without soft function 710 – 2000 mm 1 control unit with soft function 710 – 2000 mm 2 control unit with soft function 710 – 2000 mm	710 – 2000 mm 710 – 2000 mm 920 – 2000 mm
	Sash rebate height (SRH)		600 – 2500 mm
	Sash weight (S.kg)		Max. 200 kg
-	Glass weight		Max. 80 kg/m ²

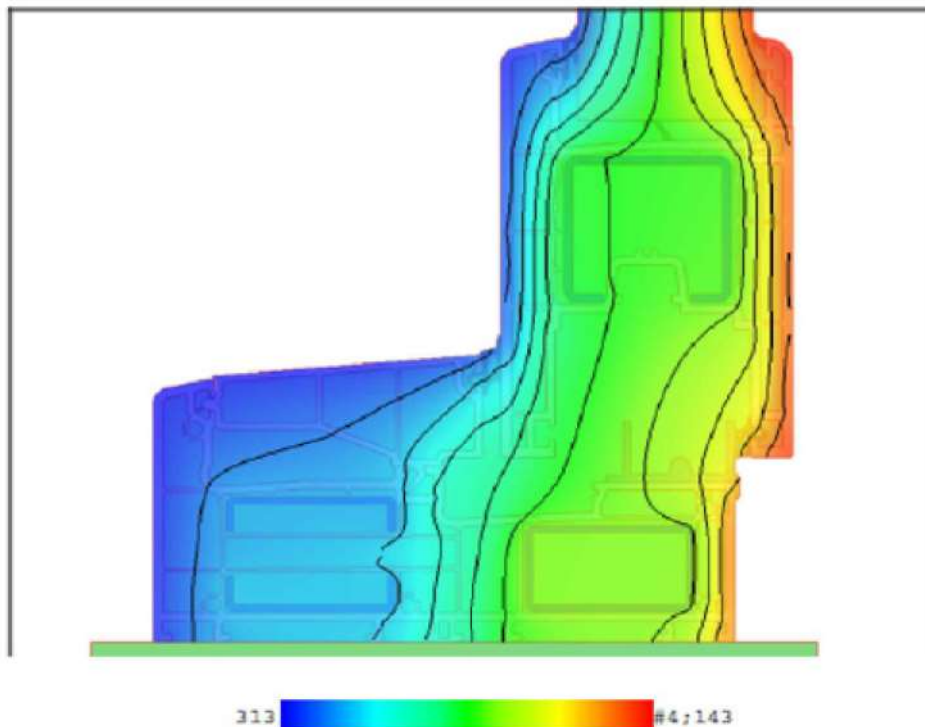
INFO

When using control units with soft function:
S.kg > 20 kg

Project name:	ADO 770		
	Sürme		
	Kasa-Kanat Uf		
Transmittance (Uf):	1.4048 W/m ² K	Internal T:	20.00 °C
Conductance (Lf2D):	0.3534 W/mK	External T:	0.00 °C
Frame length (Bf):	145.01 mm		



Thermal transmittance (Uf) computation performed in accordance with EN ISO 10077-2:2012



Node details

Primitives used for finite element simulation:	32235
Frame width (Bf):	145.01 mm
Visible insulation panel width (Bp):	205.00 mm
Insulation panel thickness (Dp):	46.20 mm

External boundary conditions:

Temperature:	0.00 °C
Surface resistance:	0.040 m ² K/W

Internal boundary conditions:

Temperature:	20.00 °C
Surface resistance:	0.130 m ² K/W
Humidity:	65.00 %

Results computed in accordance with EN ISO 10077-2:2012

Internal/external temperature difference:	20.00 °C
2D conductance (Lf2D):	0.3534 W/mK
Transmittance (Uf):	1.4048 W/m²K





www.ado.com.tr

FACTORY

Antalya Organize Sanayi Bölgesi 2.Kısım Mah. 21.Cadde No:3

07040 Döşemealtı / ANTALYA / TURKEY

Tel : +90 242 236 20 00 · Faks : +90 242 236 20 90 · Email : info@ado.com.tr



MAY / 2022